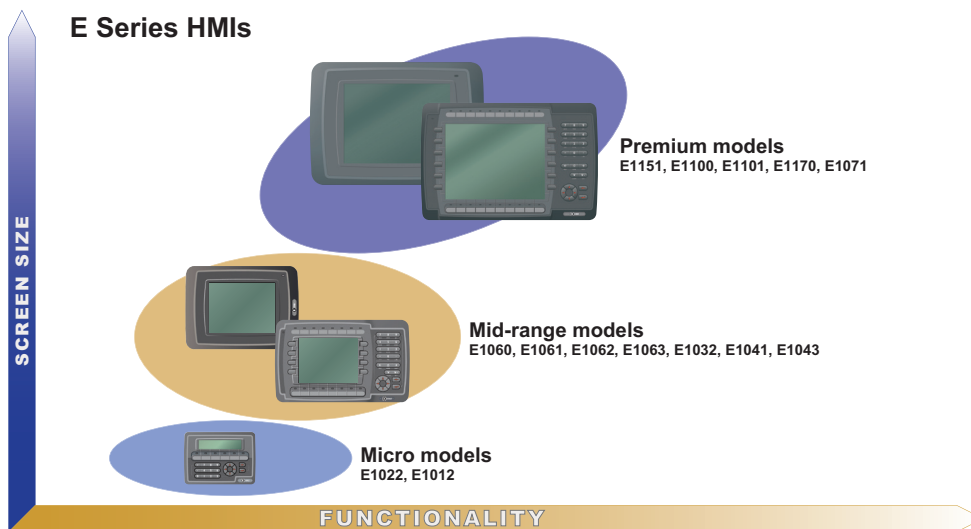
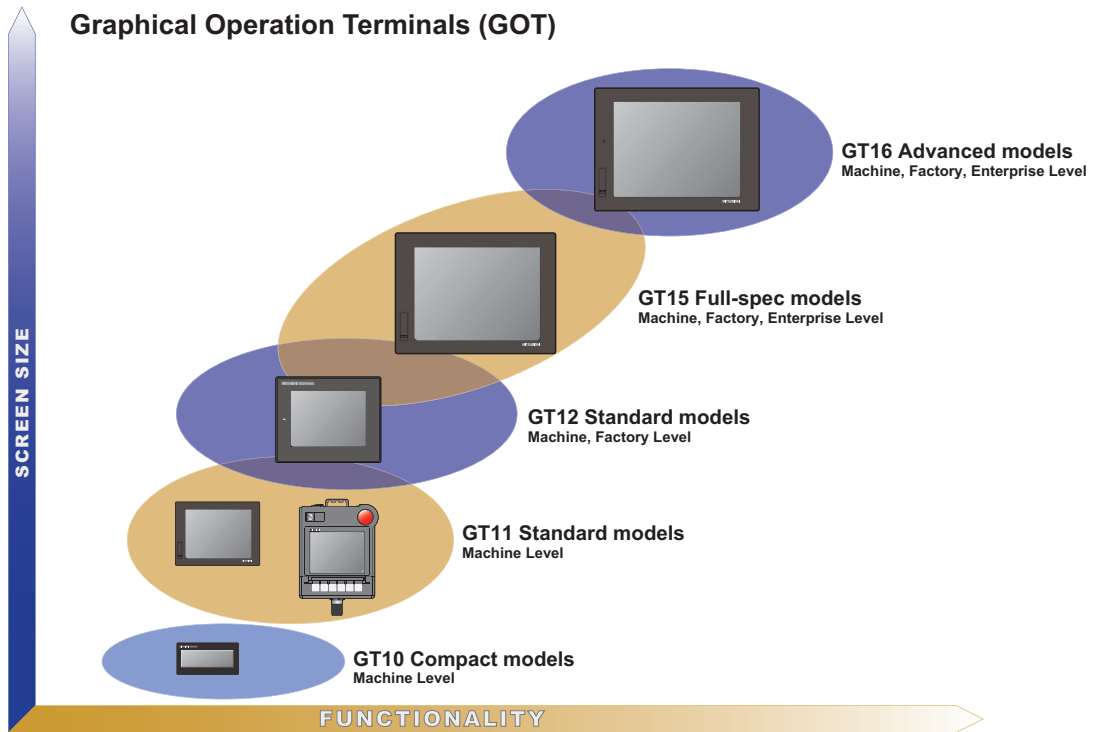


Human Machine Interfaces



GOT1000 Family	178
E1000 Series Family	203

Stock Product: Stock product is product MEAU makes every effort to have on hand for immediate shipment. There may be instances when we are out of stock due to unexpected large requirements. All stock product will be indicated in this book by an “S” in the Stocked Item columns/rows.

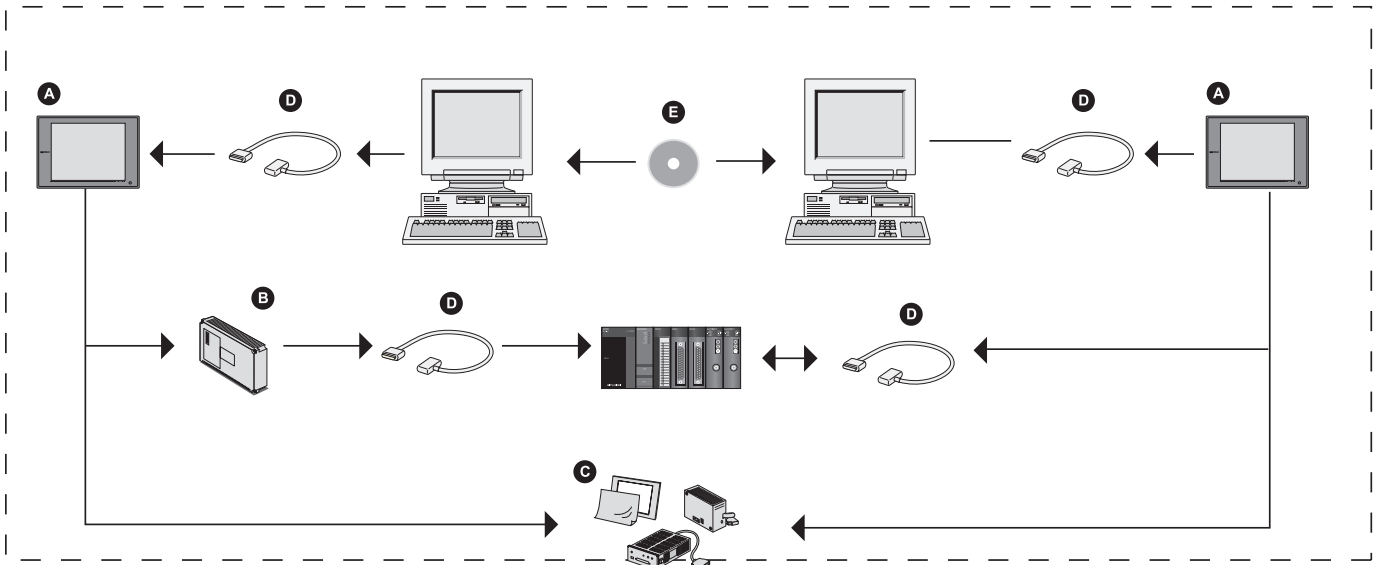
Non-Stock Product: Non-stock product is product supplied on an “as-needed” basis. Standard lead times of 12 - 16 weeks apply, product is non-returnable and non-cancelable. Product listed as non-stock may change to stock product subject to increases in sales and usage. All non-stock product will be indicated in this book by a dash “-” in the Stocked Item columns/rows.

GOT1000 Family

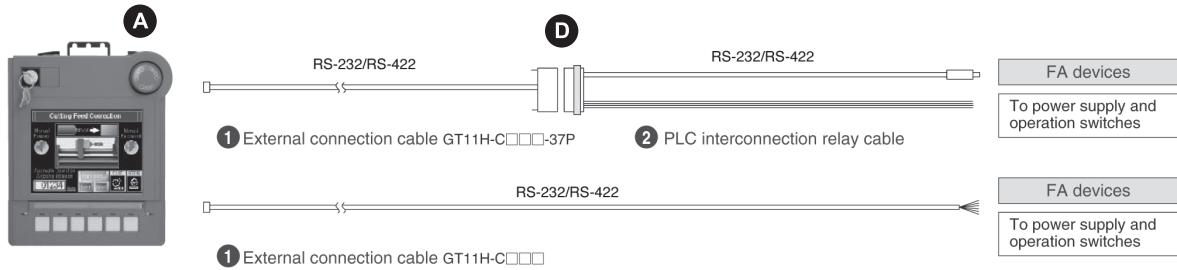
System Configuration

GT16□□ / GT15□□ / GT12□□ Terminals

GT11□□ / GT10□□ Terminals



Handy GOT



Handy GOT

A. Base Units.....	180
B. Communications Interface.....	191
C. Options and Accessories	191
D. Cables	194
E. Software.....	199

The GOT1000 Series of Graphical Operator Terminals is an all new high performance line of panel mounted and pendant style touch screen displays. Models in this family combine high resolution TFT (Thin Film Transistor) and STN (Super Twist Nematic) displays with a wide assortment of sizes and resolution to cover 5.7 inch QVGA to 15 inch XGA terminals. Terminals support a wide range of connection types and vendors. GOT1000 terminals are configured with a single easy to use programming environment.

GOT1000 Standard Hardware Features

- Front panel mounted USB port
- Compact Flash expansion slot
- Embedded communications and option slots (RS-232 / 422 / 485 / Ethernet / USB) (built-in communication ports for GT11__ and Handy models)
- Built-in power supply (AC or 24VDC)
- Ultra-thin design for today's compressed panel and installation space requirements
- Ultra-wide viewing angles combined with bright crystal clear display characteristics
- 64bit RISC processor combined with Mitsubishi Graphics Accelerator for high-speed processing and lightning quick touch operations and data crunching
- Expandable project memory and upgradeable OS
- UL and CE environmental ratings

Advanced GOT1000 Maintenance Features (Supported by Mitsubishi Controllers Only)

- System Monitor - Direct access to devices in CPU
- Ladder Monitor (*1) - Direct access to CPU Logic
- Ladder and List Editor - Modify Logic without a PC (supports A/AnS Series CPU)
- Special Unit Monitor (*1) - Direct access to Special Function Modules (SFM) and Buffer Memory (BFM) data locations through special pre-programmed screens

- Motion Monitor - Access to Q-Motion CPU (Q172/3CPUs) parameters/monitoring data through special pre-programmed screens
- Network Monitor - Direct access to CPU stations on Mitsubishi's high-speed networks (MNET10/II/B)
- Transparent Mode - Simultaneous communication of both HMI and Mitsubishi controller from a PC through serial or high-speed MELSEC Bus connections
- Ladder Monitor function requires additional memory expansion board

GOT1000 Terminal Features Include

- Multi-Channel Connections: simultaneous communications to several devices
- Scripting functions allow terminals the ability to run aux codes
- Highly advanced alarm, messaging and recipe management
- Graphical trending and data sampling
- Multi language (Unicode 2.1) and True Type font support
- Multilevel security protection (device, screen, system and project levels)
- Advanced data sharing and gateway functions (FTP, email, client/server functions)
- Printing and report generation
- Supports time action/time scheduling
- Supports graphics, text and numerical data

Advanced GOT1000 Preventative Maintenance Features (GT16/GT15__ Models Only)

- Built-in preventative maintenance allows users to monitor/schedule convenient times to replace or service GOT terminals
- Display Screen Monitor: Tracks total hours terminal has been in operation and number of touch presses
- Backlight Monitor: Tracks total hours light has been in operation
- Compact Flash Monitor: Tracks removable media write access

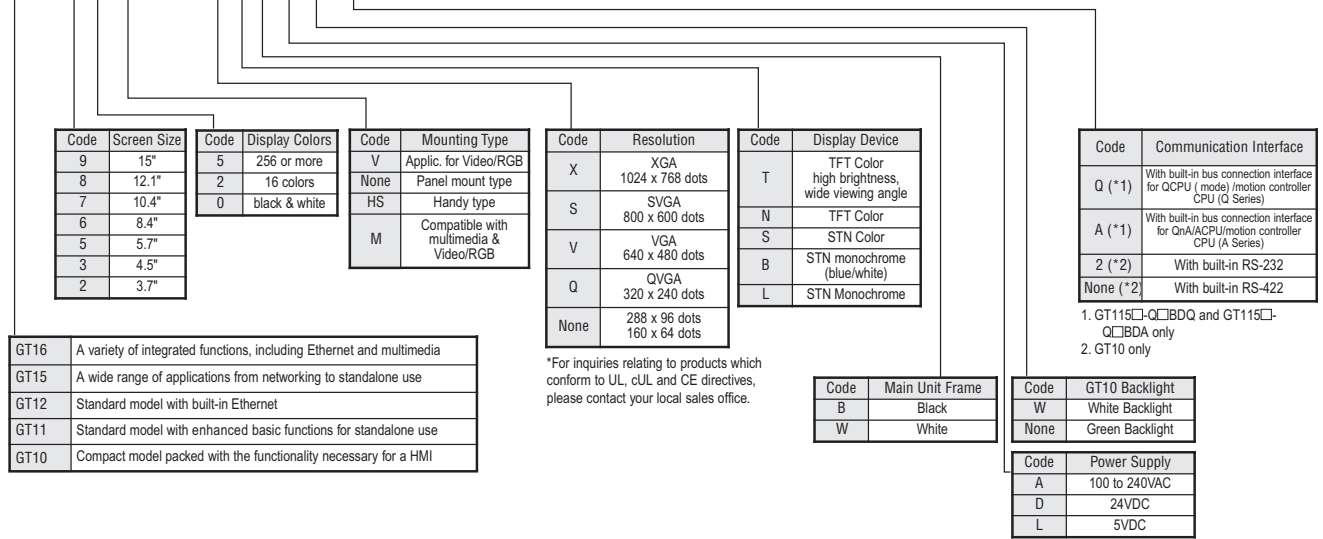
Note 1: Requires additional expansion memory.

Manuals

Model Number	Manual Name	Contents	Included?
SH(NA)080866	GT Designer 3 Version 1 Screen Design Manual	Specifications and operations of GT Designer 3 and screen editing methods for the novice GOT users	Yes with software title
SH(NA)080867	GT Designer 3 Version 1 Screen Design Manual (Functions)	Specifications and setting details of various object functions used in GT Designer 3	
SH(NA)080898	GOT1000 Connection Manual (Mitsubishi products ELE)	Applicable system configurations and connection methods for GOT1000 series to Mitsubishi products	
SH(NA)080869	GOT1000 Connection Manual (Non-Mitsubishi products 1)	Applicable system configurations and connection methods for GOT1000 series to Non-Mitsubishi products	
SH(NA)080870	GOT1000 Connection Manual (Non-Mitsubishi products 2)	Applicable system configurations and connection methods for GOT1000 series to Non-Mitsubishi products	
SH(NA)080871	GOT1000 Connection Manual (microcomputer, MODBUS product and peripheral)	Applicable system configurations and connection methods for GOT1000 series to Non-Mitsubishi products	
JY997D39201	GOT1000 Connection Manual (Alpha2 connection)	Applicable system configurations and connection methods for GOT1000 series to Alpha2 Controllers	
SH(NA)080858	GOT1000 Series Gateway Functions Manual	Specification, system configurations and settings methods of the gateways functions	
SH(NA)080859	GOT1000 MES Interface Function Manual	Specification, system configurations and settings methods of the MES option	
SH(NA)080860	GT SoftGOT1000 Operating Manual	Screen configuration, functions and use for GT SoftGOT1000	
SH(NA)080861	GT Simulator 3 Version 1 Operating Manual	How to operate GT Converter 2	
SH(NA)080862	GT Converter 3 Version 1 Operating Manual	How to operate GT Simulator 2	
SH(NA)080863	GOT1000 User's Manual (Extended Options Functions Manual)	Advanced GOT1000 functions including Ladder Monitor, System Monitor, etc. (Sold separately)	
SH(NA)080778	GT16 User's Manual Stored in CD-ROM	GT16 hardware - relevant content such as part names, external dimensions, mounting, power supply wiring, specifications, and introduction to option devices. (Sold separately)	
SH(NA)080528	GT15 User's Manual Stored in CD-ROM	GT15 hardware - relevant content such as part names, external dimensions, mounting, power supply wiring, specifications, and introduction to option devices. (Sold separately)	
SH(NA)080864	GT12 Supplementary Description Stored in CD-ROM	GT12 hardware and software functionality to the GT11 Series	
IB(NA)0800448	GT12 General Description	GT12 hardware - relevant content such as part names, external dimensions, mounting, power supply wiring, specifications, and introduction to option devices. (Sold separately)	
JY997D17501	GT11 User's Manual Stored in CD-ROM	GT10 hardware - relevant content such as part names, external dimensions, mounting, power supply wiring, specifications, and introduction to option devices. (Sold separately)	
JY997D20101	Handy GOT User's Manual Stored in CD-ROM	GT11 Handy hardware - relevant content such as part names, external dimensions, mounting, power supply wiring, specifications, and introduction to option devices. (Sold separately)	
JY997D20102			
JY997D24701	GT10 User's Manual Stored in CD-ROM	GT10 hardware - relevant content such as part names, external dimensions, mounting, power supply wiring, specifications, and introduction to option devices. (Sold separately)	

A Base Units

GT1695M - XTBA□□



General Specifications

Model Number		GT16, GT15, GT12, GT11, GT10				
Operating Ambient Temp. (*1)	Display	0 to 50°C				
	Other Than Display	0 to 55°C				
Storage Ambient Temperature		-20°C to 60°C				
Operating Ambient Humidity (*2)		10 to 90%RH, no condensation				
Storage Ambient Humidity (*2)		10 to 90%RH, no condensation				
Vibration Resistance (*3)	Conforming to JIS B 3502 and IEC 61131-2		Frequency	Acceleration	Half Amplitude	Sweep count 10 times in each of X, Y and Z directions
		Under intermittent vibration	5 to 9Hz	-	3.5mm	
			9 to 150Hz	9.8m/s ²	-	
		Under continuous vibration	5 to 9Hz	-	1.75mm	
9 to 150Hz	4.9m/s ²		-			
Impact Resistance		Conforming to JIS B 3502 and IEC 61131-2 (147m/s ² , 3 times in each of X, Y and Z directions)				
Operating Atmosphere		No corrosive gas				
Operating Altitude (*4)		2000m or less				
Installation Location		In control panel				
Overvoltage Category (*5)		II or lower				
Contamination Level (*6)		2 or less				
Cooling Method		Self-cooling				

Notes:

- When an extension unit is mounted on the MELSECNET/H communication unit (GT15-J71LP23-25 or GT15-J71BR13) or CC-Link communication unit (GT15-J61BT13), the operating ambient temperatures are 5°C lower than the maximum temperatures shown in the general specifications table.
- Water bulb temperature for STN display type must be 39°C or lower.
- Refer to the Communication Unit User's Manual for vibration resistance specifications when using the MELSECNET/10 communication unit (GT15-75J71LP23-Z or GT15-75J71BR13-Z) or CC-Link communication unit (GT15-75J61BT13-Z). (The specifications of communication units are different from those of the GOT main unit.)
- Do not operate or store the GOT unit in pressurized environments where the pressure exceeds the 0m elevation atmospheric pressure, as this could result in abnormal operation.
- Assuming that the device is connected at some point between a public power distribution network and local system equipment. Category II applies to devices that are supplied with power from fixed equipment. The surge withstand voltage is 2500V for devices with ratings up to 3000V.
- Index that indicates the level of foreign conductive matter in the operating environment of device. Contamination level 2 denotes contamination by non-conductive matter only, though momentary conductivity may occur due to occasional condensation.

GT16 - GT15 Base Units

Model Number		Screen Size (Resolution)	Display	Display Colors (Number of Colors)	Power Supply	Memory Size	Remarks	Stk. Item			
GT16	GT1695	GT1695M-XTBA	15" 1024 x 768 dots	TFT color LCD (high brightness, wide viewing angle)	65,536 colors	100-240VAC	-	S			
		GT1695M-XTBD				24VDC		S			
	GT1685	GT1685M-STBA	12.1" 800 x 600 dots	TFT color LCD (high brightness, wide viewing angle)	65,536 colors	100-240VAC		S			
		GT1685M-STBD				24VDC		S			
	GT1675	GT1675M-STBA	10.4" 800 x 600 dots	TFT color LCD (high brightness, wide viewing angle)	65,536 colors	100-240VAC		S			
		GT1675M-STBD				24VDC		S			
		GT1675M-VTBA	10.4" 640 x 480 dots			100-240VAC		S			
		GT1675M-VTBD				24VDC		S			
	GT1665	GT1665M-STBA	8.4" 800 x 600 dots	TFT color LCD (high brightness, wide viewing angle)	65,536 colors	100-240VAC		S			
		GT1665M-STBD				24VDC		S			
		GT1665M-VTBA	8.4" 640 x 480 dots			100-240VAC		S			
		GT1665M-VTBD				24VDC		S			
	GT15	GT1595	GT1595-XTBA	15" XGA 1024 x 768 dots	TFT color LCD (high brightness, wide viewing angle)	65,536 colors		100-240VAC	9MB	S	
			GT1595-XTBD					24VDC		-	
		GT1585	GT1585V-STBA	12.1" SVGA 800 x 600 dots	TFT color LCD (high brightness, wide viewing angle)	65,536 colors		100-240VAC	9MB	Applicable for Video/RGB	S
			GT1585V-STBD		TFT color LCD (high brightness, wide viewing angle)			24VDC		-	
GT1585-STBA			100-240VAC				S				
GT1585-STBD			24VDC		S						
GT1575_		GT1575V-STBA	10.4" SVGA 800 x 600 dots	TFT color LCD (high brightness, wide viewing angle)	65,536 colors	100-240VAC	9MB	Applicable for Video/RGB	S		
		GT1575V-STBD		TFT color LCD (high brightness, wide viewing angle)		24VDC		-			
		GT1575-STBA				100-240VAC		S			
		GT1575-STBD		24VDC		S					
		GT1575-VTBA	10.4" VGA 640 x 480 dots	TFT color LCD (high brightness, wide viewing angle)	65,536 colors	100-240VAC	9MB	-	S		
		GT1575-VTBD		TFT color LCD		24VDC		S			
		GT1575-VNBA			TFT color LCD	256 colors	100-240VAC	5MB	S		
		GT1575-VNBD		24VDC		S					
		GT1572-VNBA		TFT color LCD	16 colors	100-240VAC	5MB	S			
		GT1572-VNBD				24VDC		S			
GT1565_	GT1565-VTBA	8.4" VGA 640 x 480 dots	TFT color LCD (high brightness, wide viewing angle)	65,536 colors	100-240VAC	9MB	-	S			
	GT1565-VTBD		TFT color LCD		24VDC		S				
	GT1562-VNBA			TFT color LCD	16 colors	100-240VAC	5MB	S			
	GT1562-VNBD		24VDC			S					
GT1555_	GT1555-VTBD	5.7" VGA 640 x 480 dots	TFT color LCD (high brightness, wide viewing angle)	65,536 colors	24VDC	9MB	-	S			
	GT1555-QTBD	5.7" QVGA 320 x 240 dots	STN color LCD				4,096 colors	-			
	GT1555-QSBD			STN monochrome LCD				Mono. (b/w) 16 gray scales	S		
	GT1550-QLBD	STN monochrome LCD	Mono. (b/w) 16 gray scales	S							

GT12 - GT11 - GT10 Base Units

Model Number			Screen Size (Resolution)	Display	Display Colors (Number of Colors)	Power Supply	Memory Size	Remarks	Stk. Item		
GT12	GT12_5	GT1275-VNBA	10.4" VGA 640 x 480 dots	TFT color LCD	256 colors	100 to 240VAC	6MB	-	S		
		GT1265-VNBA	8.4" VGA 640 x 480 dots					-	S		
GT11	GT1155	GT1155-QTBD	5.7" QVGA 320 x 240 dots	TFT color LCD	256 colors	24VDC	3MB	-	S		
		GT1155-QTBDQ						Dedicated to Q bus connection	-		
		GT1155-QTBDA						Dedicated to A bus connection	-		
		GT1155-QSBD						-	S		
		GT1155-QSBDQ						Dedicated to Q bus connection	-		
	GT1155-QSBDQ	Dedicated to A bus connection	-								
	GT1150	GT1150-QLBD	5.7" QVGA 320 x 240 dots	STN monochrome LCD	Monochrome (black/white) 16 gray scales	24VDC	3MB	-	S		
		GT1150-QLBDQ						Dedicated to Q bus connection	-		
		GT1150-QLBDA						Dedicated to A bus connection	-		
	Handy GOT	GT1155HS-QSBD	5.7" QVGA 320 x 240 dots	STN color LCD	256 colors	24VDC	3MB	-	S		
GT1150HS-QLBD		STN monochrome LCD		Monochrome (b/w) 16 gray scales	-			S			
GT105_	GT1055_	GT1055-QSBD	5.7" QVGA 320 x 240 dots	STN color LCD	256 colors	24VDC	3MB	-	S		
		GT1050-QBBD		STN monochrome LCD	Mono (blue/white) 16 gray scales			-	S		
	GT104_	GT1045-QSBD	4.7" QVGA 300 x 240 dots	STN color LCD	256 colors	24VDC	3MB	-	S		
		GT1040-QBBD		STN monochrome LCD	Mono (blue/white) 16 gray scales			-	S		
GT10	GT1030	GT1030-LBD	4.5" 288 x 96 dots	STN monochrome LCD	Monochrome (black/white)	24VDC	1.5MB	Dedicated to RS-422 connection	S		
		GT1030-LBD2						Dedicated to RS-232 connection	S		
		GT1030-LWD						Dedicated to RS-422 connection	-		
		GT1030-LWD2						Dedicated to RS-232 connection	-		
		GT1030-LBDW						Dedicated to RS-422 connection	-		
		GT1030-LBDW2						Dedicated to RS-232 connection	-		
		GT1030-LWDW						Dedicated to RS-422 connection	-		
		GT1030-LWDW2						Dedicated to RS-232 connection	-		
		GT1030-LBL						green, orange, red	5VDC	Dedicated to RS-422 FX connection	S
		GT1030-LWL						green, orange, red		Dedicated to RS-422 FX connection	-
	GT1020	GT1020	GT1020-LBD	3.7" 160 x 64 dots	STN monochrome LCD	Monochrome (black/white)	24VDC	512KB	Dedicated to RS-422 connection	S	
GT1020-LBD2			Dedicated to RS-232 connection						S		
GT1020-LBL			Dedicated to RS-422 FX connection						S		
GT1020-LWD			Dedicated to RS-422 FX connection						-		
GT1020-LWD2			Dedicated to RS-232 connection						-		
GT1020-LWL			Dedicated to RS-422 FX connection						-		
GT1020-LBDW			Dedicated to RS-422 connection						-		
GT1020-LBDW2			Dedicated to RS-232 connection						-		
GT1020-LBLW			3-color LED (green, orange, red)						5VDC	Dedicated to RS-422 FX connection	-
GT1020-LWDW			3-color LED (green, orange, red)						24VDC	Dedicated to RS-422 FX connection	-
GT1020-LWDW2			3-color LED (green, orange, red)						24VDC	Dedicated to RS-232 connection	-
GT1020-LWLW			3-color LED (white, pink, red)						5VDC	Dedicated to RS-422 FX connection	-

GT16 Power Supply Specifications

Model Number	GT1695M-XTBA	GT1685M-STBA	GT1675M-STBA GT1675M-VTBA GT1665M-STBA GT1665M-VTBA	GT1695M-XTBD	GT1685M-STBD	GT1675M-STBD GT1675M-VTBD GT1665M-STBD GT1665M-VTBD
Input Power Supply Voltage	100 to 240VAC (+10%, -15%)			24VDC (+25%, -20%)		
Input Frequency	50/60Hz ±5%			-		
Input Maximum Voltampere	150VA (at max. load)	110VA (at max. load)	100VA (at max. load)	-		
Power Consumption	64W or less	46W or less	39W or less	60W or less	40W or less	38W or less
Power Consumption W/ Backlight Off	38W or less	32W or less	30W or less	30W or less	26W or less	27W or less
Inrush Current	28A or less (4ms, at max. load)			12A or less (75ms, at max. load)	12A or less (55ms, at max. load)	
Permissible Instant. Failure Time	Within 20ms (100VAC or more)			Within 10ms		
Noise Resistance	Noise width 1μs, and noise frequency 25 to 60Hz, by noise simulator with noise voltage 1500Vp-p			Noise width 1μs, and noise frequency 25 to 60Hz, by noise simulator with noise voltage 500Vp-p		
Withstand Voltage	1500VAC for 1 minute between power supply terminal and ground for 1 minute					
Insulation Resistance	10MΩ or higher with an insulation resistance tester (500VDC between power supply terminal and ground)					
Applicable Wire Size	0.75 to 2 [mm ²]					
Clamp Terminal	Clamp terminals for M3 screw RAV1.25-3, V2-S3.3, V2-N3A, FV2-N3A					
Tightening Torque (Terminal Block's Terminal Screws)	0.5 to 0.8 [N·m]					

GT15 Power Supply Specifications

Model Number	GT1595-XTBA	GT1585V-STBA GT1585-STBA	GT1575-STBA GT1575-VTBA GT1575-VNBA GT1572-VNBA GT1565-VTBA GT1562-VNBA	GT1595-XTBD	GT1585V-STBD GT1585-STBD	GT1575V-STBD GT1575-STBD GT1575-VTBD GT1575-VNBD GT1572-VNBD GT1565-VTBD GT1562-VNBD	GT1555-VTBD	GT1555-QTBD	GT1555-QSBD	GT1550-QLBD
Input Power Supply Voltage	100 to 240VAC (+10%, -15%)			24VDC (+25%, -20%)						
Input Frequency	50/60Hz ±5%			-						
Input Maximum Voltampere	110VA (at max. load)			-						
Power Consumption	56W or less	41W or less	39W or less	57W or less (2380mA/24VDC)	43W or less (1790mA/24VDC)	41W or less (1710mA/24VDC)	19W or less (790mA/24VDC)	18W or less (750mA/24VDC)	17W or less (710mA/24VDC)	15W or less (620mA/24VDC)
	30W or less	28W or less	28W or less	32W or less (1330mA/24VDC)	30W or less (1250mA/24VDC)	30W or less (1250mA/24VDC)	14W or less (580mA/24VDC)	13W or less (540mA/24VDC)		
Inrush Current	50A or less (4ms, at max. load)	45A or less (4ms, at max. load)	40A or less (4ms, at max. load)	100A or less (4ms, at max. load)	115A or less (1ms, at max. load)	115A or less (1ms, at max. load)	67A or less (1ms, at max. load)	60A or less (1ms, at max. load)		
Permissible Instantaneous Failure Time	Within 20ms (100VAC or more)			Within 10ms						
Noise Resistance	Noise width 1μs, and noise frequency 25 to 60Hz, by noise simulator with noise voltage 1500Vp-p			Noise width 1μs, and noise frequency 25 to 60Hz, by noise simulator with noise voltage 500Vp-p						
Withstand Voltage	1500VAC for 1 minute between power supply terminal and ground for 1 minute			500VAC for 1 minute between power supply terminal and ground for 1 minute						
Insulation Resistance	10MΩ or higher with an insulation resistance tester (500VDC between power supply terminal and ground)									
Applicable Wire Size	0.75 to 2 [mm ²]									
Clamp Terminal	Clamp terminals for M3 screw RAV1.25-3, V2-S3.3, V2-N3A, FV2-N3AS									
Tightening Torque (Terminal Block's Terminal Screws)	0.5 to 0.8 [N·m]									

GT16 Performance Specifications

Model Number		GT1695M-XTBA GT1695M-XTBD	GT1685M-STBA GT1685M-STBD	GT1675M-STBA GT1675M-STBD	GT1675M-VTBA GT1675M-VTBD	GT1665M-STBA GT1665M-STBD	GT1665M-VTBA GT1665M-VTBD
Display	Type	TFT color LCD (high-brightness, wide viewing angle)					
	Screen Size	15"	12.1"	10.4"		8.4"	
	Resolution (Dots)	1024 x 768	800 x 600	800 x 600	640 x 480	800 x 600	640 x 480
	Display Size (W x H) mm	304.1 x 228.1	246 x 184.5	211 x 158		171 x 128	
	Number of Displayed Characters	16-dot standard font: 64 chars. x 48 lines (2-byte) 12-dot standard font: 85 chars. x 64 lines (2-byte)	16-dot standard font: 50 chars. x 37 lines (2-byte) 12-dot standard font: 66 chars. x 50 lines (2-byte)	16-dot standard font: 40 chars. x 30 lines (2-byte) 12-dot standard font: 53 chars. x 40 lines (2-byte)	16-dot standard font: 50 chars. x 37 lines (2-byte) 12-dot standard font: 66 chars. x 50 lines (2-byte)	16-dot standard font: 40 chars. x 30 lines (2-byte) 12-dot standard font: 53 chars. x 40 lines (2-byte)	16-dot standard font: 40 chars. x 30 lines (2-byte) 12-dot standard font: 53 chars. x 40 lines (2-byte)
	Display Colors	65,536					
	View Angle (*5)	Right/left: 75°, Up: 50°, Down: 60°	Right/left: 80°, Up: 60°, Down: 80°	88°		Right/left: 80°, Up: 80°, Down: 80°	
	Intensity (cd/m ²)	450	470	400	450	400	600
	Intensity Adjustment	8-step adjustment					
	Life	Approx. 52,000 hours (operating ambient temperature: 25°C)			Approx. 43,000 hours (operating ambient temperature: 25°C)		
Backlight	Backlight	Cold-cathode fluorescent tube (replaceable), with backlight OFF detection function. Backlight off time and screen save time can be set.					
	Life (*1)	Approx. 50,000 hours or more (Time for display intensity reaches 50% at operating ambient temperature of 25°C)					
Touch Panel	Type	Analog resistive type					
	Key Size (Dots)	Min. 2 x 2 (per key)					
	No. of Simultaneous Touch Pts.	Simultaneous touch prohibited (*2) (1 point only)					
	Life	1,000,000 times or more (operating force 0.98N or less)					
Human Sensor	Detection Distance (m)	1					
	Detection Range	Right/left/up/down: 70°					
	Detection Delay Time (Sec)	0 to 4					
	Detection Temperature	Temperature difference between human body and ambient air: 4°C or higher					
Memory (*3)	C Drive	15MB built-in flash memory (for saving project data, extended function OS/optional function OS)					
	Life (No. Of Writings)	100,000 times					
Battery	Battery	GT15-BAT type lithium battery (optional)					
	Backed Up Data	Clock data and maintenance time notification data, system log data					
	Life	Approx. 5 years (operating ambient temperature: 25°C)					
Built-in Interface	RS-232	RS-232, 1ch. Transmission speed: 115200/57600/38400/19200/9600/4800 bps; Connector shape: D-sub 9-pin (male) Application: Communication with connected devices, connection to personal computer (project data upload/download, OS installation, FA transparent function)					
	RS-422/485	RS-422/485, 1ch. Transmission speed: 115200/57600/38400/19200/9600/4800 bps; Connector shape: 14-pin (female) Application: Communication with a controller					
	Ethernet	Data transfer method: 100BASE-TX, 1 ch.; Connector shape: RJ-45 (modular jack) Application: Communication with a controller, using the gateway function, or connection to personal computer (project data upload/download, OS installation, MES interface function)					
	USB	USB (full speed: 12 Mbps), host 1ch. Connector shape: TYPE-A Application: Data transfer, data storage					
		USB (full speed: 12 Mbps), device 1ch. Connector shape: TYPE Mini-B Application: Connection to personal computer (project data upload/download, OS installation, FA transparent function)					
	CF Card	Compact flash slot, 1ch. Connector shape: TYPE I Application: Data transfer and storage, GOT start-up					
	Optional Function Board	1ch for optional function board installation					
Extension Unit	2ch for communication unit/optional unit installation						
Buzzer Output	Single tone (tone length adjustable)						
Protective Construction	Outside the enclosure: IP67 Inside the enclosure: IP2X						
External Dimensions (Without USB Port Cover) (W x H x D) mm	397 x 296 x 61	316 x 242 x 52	303 x 214 x 49		241 x 90 x 52		
Panel Cut Dimensions (W x H) mm	383.5 x 282.5	302 x 228	289 x 200		227 x 176		
Weight (Excluding Mounting Brackets) (kg)	5.0	2.7	2.1		1.7		
Application Software Package	GT Designer2 Version 2.93U or later						

Notes:

- Using the GOT screen save/backlight OFF functions prevents screen burn-in and extends the backlight life.
- An analog resistive touch display is used. When 2 points on the screen are touched simultaneously, if a switch is located at the middle of the 2 points then the switch will be activated. Therefore, avoid touching 2 points on the screen simultaneously.
- The built-in memory is a ROM that permits overwriting of new data without having to delete the existing data.

GT15 Performance Specifications

Model Number		GT1595-VTBA GT1595-VTBD	GT1585V-STBA GT1585V-STBD GT1585-STBA GT1585-STBD	GT1575V-STBA GT1575V-STBD GT1575-STBA GT1575-STBD	GT1575-VTBA GT1575-VTBD	GT1575-VNBA GT1575-VNBD	GT1572-VNBA GT1572-VNBD	GT1565-VTBA GT1565-VTBD	GT1562-VNBA GT1562-VNBD	
Display	Type	TFT color LCD (high-brightness, wide viewing angle)				TFT color LCD		TFT color LCD (high-brightness, wide viewing angle)		TFT color LCD
	Screen Size	15"	12.1"	10.4"			8.4"			
	Resolution (Dots)	XGA: 1024 x 768	SVGA: 800 x 600		VGA: 640 x 480					
	Display Size (W x H) mm	304.1x 228.1	246 x 184.5	211 x 158			171 x 128			
	Number of Displayed Characters	16-dot standard font: 64 chars. x 48 lines (2-byte) 12-dot standard font: 85 chars. x 64 lines (2-byte)	16-dot standard font: 50 chars. x 37 lines (2-byte) 12-dot standard font: 66 chars. x 50 lines (2-byte)		16-dot standard font: 40 chars. x 30 lines (2-byte) 12-dot standard font: 53 chars. x 40 lines (2-byte)					
	Display Colors	65,536				256	16	65,536	16	
	View Angle (*5)	Right/left: 75°, Up: 50°, Down: 60°	Right/left: 60°, Up: 40°, Down: 50°	Right/left/up/down: 85°	Right/left/up/down: 85°	Right/left: 45°, Up: 30°, Down: 20°		Right/left: 65°, Up: 50°, Down: 60°	Right/left: 45°, Up: 20°, Down: 20°	
	Contrast Adjustment	-								
	Intensity (cd/m ²)	450	350	400	380	200		380	150	
	Intensity Adjustment	8-step adjustment				4-step adjustment		8-step adjustment	4-step adjustment	
Life	Approx. 52,000 hours (operating ambient temperature: 25°C)	Approx. 50,000 hours (operating ambient temperature: 25°C)		Approx. 41,000 hours (operating ambient temperature: 25°C)						
Backlight	Backlight	Cold-cathode fluorescent tube (replaceable), with backlight OFF detection function. Backlight off time and screen save time can be set.								
	Life (*1)	Approx. 50,000 hours or more	Approx. 40,000 hours or more							(Time for display intensity reaches 50% at operating ambient temperature of 25°C)
Touch Panel	Type	Analog resistive type	Matrix resistive type							
	Number of Touch Keys	3072 keys/screen (48 lines x 64 columns)	1900 keys/screen (38 lines x 50 columns)		1200 keys/screen (30 lines x 40 columns)					
	Key Size (Dots)	Min. 2 x 2 (per key)	Min. 16 x 16 (per key) (16 x 8 only on lowermost line) touch keys		Min. 16 x 16 (per key)					
	No. Of Simultaneous Touch Points	Simultaneous touch prohibited (*2) (1 point only)	Max. 2 points							
	Life	1,000,000 times or more (operating force 0.98N or less)								
Human Sensor	Detection Distance (m)	1	-							
	Detection Range	Right/left/up/down: 70°		-						
	Detection Delay Time (Sec)	0 to 4		-						
Memory (*3)	C Drive	9MB built-in flash memory (for saving project data, extended function OS/optional function OS)			5MB built-in flash memory CF card (for saving project data, extended function OS/optional function OS) C drive		9MB built-in flash memory (for saving project data, extended function OS/optional function OS)	5MB built-in flash memory (for saving project data, extended function OS/optional function OS)		
	Life (No. Of Writings)	100,000 times								
Battery	Battery	GT15-BAT type lithium battery (optional)								
	Backed Up Data	Clock data and maintenance time notification data								
	Life	Approx. 5 years (operating ambient temperature: 25°C)								
Built-in Interface	RS-232	RS-232, 1ch. Transmission speed: 115200/57600/38400/19200/9600/4800 bps, Connector shape: D-sub 9-pin (male) Application: Communication with connected devices, connection to personal computer (project data upload/download, OS installation, FA transparent function)								
	USB	USB (full speed: 12 Mbps), device 1ch. Application: Connection to personal computer (project data upload/download, OS installation, FA transparent function)								
	CF Card	Compact flash slot, 1ch. Connector shape: TYPE I; Application: Data transfer and storage								
	Optional Function Board	1ch for optional function board installation								
	Extension Unit	2ch for communication unit/optional unit installation								
Buzzer Output		Single tone (tone length adjustable)								
Protective Construction		JEM1030 Front: IP67f. In panel: IP2X (*4)								
External Dimensions (Without USB Port Cover) (W x H x D) mm		397 x 296 x 61	316 x 242 x 52	303 x 214 x 49			241 x 192 x 52			
Panel Cut Dimensions (W x H) mm		383.5 x 282.5	302 x 228	289 x 200			227 x 176			
Weight (Excluding Mounting Brackets) (kg)		4.9	2.8	GT1575V:2.3 GT1575:2.4	2.4	2.3	1.9			
Applic. Software Package	Screen Design Software	GT Designer2 Version 2.58L or later								
	Simulation Software	GT Simulator2 Version 2.58L or later								

Notes:

- Using the GOT screen save/backlight OFF functions prevents screen burn-in and extends the backlight life.
- An analog resistive touch display is used. When 2 points on the screen are touched simultaneously, if a switch is located at the middle of the 2 points then the switch will be activated. Therefore, avoid touching 2 points on the screen simultaneously.
- The built-in memory is a ROM that permits overwriting of new data without having to delete the existing data.
- Conforms to the IP67f (JEM1030) standard when the USB port cover is installed. (The USB interface conforms to IP2X (JEM1030) when a USB cable is connected.) However, this does not guarantee protection in all users' environments.
- LC panels have characteristics of tone reversal. Note that even within the indicated view angles, the screen display may not be clear enough depending on the display color.
- The GT1555-VTBD can be operated with a stylus pen. Using a stylus pen enables touching small switches without fault. Use a stylus pen within the following specifications; Material: polyacetal resin, Point tip: 0.8mm or more.

GT15 Performance Specifications

Model Number		GT1555-VTBD	GT1555-QTBD	GT1555-QSBD	GT1550-QLBD
Display	Type	TFT color LCD (high-brightness, wide viewing angle)		STN color LCD	STN monochrome (black and white) LCD
	Screen Size	5.7"			
	Resolution (Dots)	VGA: 640 x 480	QVGA: 320 x 240		
	Display Size (W x H) mm	115 x 86			
	Number of Displayed Characters	16-dot standard font: 40 chars. x 30 lines (2-byte) 12-dot standard font: 53 chars. x 40 lines (2-byte)	16-dot standard font: 20 chars. x 15 lines (2-byte) 12-dot standard font: 26 chars. x 20 lines (2-byte)		
	Display Colors	65,536 colors		4,096 colors	monochrome 16 gray scale
	View Angle (*5)	Right/left: 80°, Up: 80°, Down: 70°	Right/left: 70°, Up: 70°, Down: 50°	Right/left: 55°, Up: 65°, Down: 70°	Right/left: 45°, Up: 20°, Down: 40°
	Contrast Adjustment	16-step adjustment			
	Intensity (cd/m ²)	350	400	380	220
	Intensity Adjustment	8-step adjustment			
Life	Approx. 50,000 hours (operating ambient temperature: 25°C)				
Backlight	Backlight	Cold-cathode fluorescent tube (not replaceable), with backlight OFF detection function. Backlight off time and screen save time can be set.			
	Life (*1)	Approx. 75,000 hours or more			Approx. 58,000 hours or more
		(Time for display intensity reaches 50% at operating ambient temperature of 25°C)			
Touch Panel (*6)	Type	Matrix resistive type			
	Number of Touch Keys	1200 keys/screen (30 lines x 40 columns)	300 keys/screen (15 lines x 20 columns)		
	Key Size (Dots)	Min. 16 x 16 (per key)			
	No. of Simultaneous Touch Points	Max. 2 points			
	Life	1,000,000 times or more (operating force 0.98N or less)			
Human sensor	Detection Distance	-			
	Detection Range	-			
	Detection Delay Time	-			
Memory (*3)	C Drive	9MB built-in flash memory (for saving project data, extended function OS/optional function OS)			
	Life (No. of Writings)	100,000 times			
Battery	Battery	GT15-BAT type lithium battery (optional)			
	Backed Up Data	Clock data and maintenance time notification data			
	Life	Approx. 5 years (operating ambient temperature: 25°C)			
Built-in Interface	RS-232	RS-232, 1ch, Transmission speed: 115200/57600/38400/19200/9600/4800 bps, Connector shape: D-sub 9-pin (male) Application: Communication with connected devices, connection to personal computer (project data, upload/download, OS installation, FA transparent function)			
	USB	USB (full speed: 12 Mbps), device 1ch Application: Connection to personal computer (project data upload/download, OS installation, FA transparent function)			
	CF Card	Compact flash slot, 1ch, Connector shape: TYPE I Application: Data transfer and storage			
	Optional Function Board	1ch for optional function board installation			
	Extension Unit	1ch for communication unit/optional unit installation			
Buzzer Output	Single tone (tone length adjustable)				
Protective Construction	JEM1030 Front: IP67f In panel: IP2X (*4)				
External Dimensions (Without USB Port Cover) W x H x D (mm)	167 x 135 x 60				
Panel Cut Dimensions (W x H) (mm)	153 x 121				
Weight (Excl. Mounting Brackets) (kg)	1.1				
Applicable Software Packages	Screen Design Software	GT Designer2 Version 2.58L or later			
	Simulation Software	GT Simulator2 Version 2.58L or later			

General Note:

On LCD screens, bright dots (permanently lit) and black dots (not to be lit) generally appear. Because the large number of display elements exist on an LCD screen, it is not possible to reduce appearance of the bright and black dots to zero. Flickering may occur depending on the display colors. Note that the existence of bright and black dots is a standard characteristic of LCD screens, and it does not mean that the products are defective or damaged.

Notes: Refer to notes on previous page.

GT12 Power Supply Specifications

Model Number	GT1275-VNBA • GT1265-VNBA
Input Power Supply Voltage	100 to 240 V AC (+10%, -15%)
Input Frequency	50/60Hz ±5%
Input Maximum Voltampere	44 VA (at max. load)
Power Consumption	18 W or less
With Backlight Off	15 W or less
Inrush Current	40 A or less (4 ms, at max. load)
Permissible Instantaneous Failure Time	Within 20 ms (100 V AC or more)
Noise Resistance	Noise voltage 1,500 Vp-p, and noise width 1μs, by noise simulator with noise frequency 25 to 60 Hz
Withstand Voltage	1,500 V AC for 1 minute between power supply terminals and ground
Insulation Resistance	10 MΩ or higher with an insulation resistance tester (500 V DC between power supply terminals and ground)
Applicable Wire Size	0.75 to 2 [mm ²]
Clamp Terminal	Clamp terminals for M3 screw RAV1.25-3, V2-S3.3, V2-N3A and FV2-N3A
Tightening Torque (Terminal Block's Terminal Screws)	0.5 to 0.8 [N·m]

GT11 Power Supply Specifications

Model Number	GT1155-QTBD GT1155-QSBD GT1155HS-QSBD	GT1150-QLBD GT1150HS-QLBD	GT1155-QTBDO GT1155-QTBDA	GT1155-QSBDQ GT1155-QSBD A	GT1150-QLBDQ GT1150-QLBDA	GT1055-QSBD	GT1050-QBBD
Input Power Supply Voltage	24VDC (+10%, -15%), ripple voltage of 200mV or less						
Input Frequency	-						
Input Maximum Voltampere	-						
Power Consumption	9.84W or less (410mA/24VDC)	9.36W or less (390mA/24VDC)	11.16W or less (465mA/24VDC)	9.72W or less (405mA/24VDC)	7.92W or less (330mA/24VDC)	9.84W or less (410mA/24VDC)	9.36W or less (390mA/24VDC)
With Backlight Off	4.32W or less (180mA/24VDC)		5.04W or less (210mA/24VDC)			4.32W or less (180mA/24VDC)	
Inrush Current	15A or less (2ms, at max. load)		26A or less (4ms, at max. load)			15A or less (26.4V) 2ms	
Permissible Instantaneous Failure Time	Within 5ms		Within 10ms			Within 5ms	
Noise Resistance	Noise voltage 1000Vp-p, noise width 1μs by noise simulator with noise frequency 30 to 100Hz		Noise width 1μs, and noise frequency 25 to 60Hz, by noise simulator with noise voltage 500Vp-p			Noise voltage 1000Vp-p, noise width 1μs by noise simulator with noise frequency 30 to 100Hz	
Withstand Voltage	500VAC for 1 minute between power supply terminal and ground for 1 minute						
Insulation Resistance	10MΩ or higher with an insulation resistance tester (500VDC between power supply terminal and ground)						
Applicable Wire Size	0.75 to 2 [mm ²] (*1)						
Clamp Terminal	Clamp terminals for M3 screw RAV1.25-3, V2-N3A, FV2-N3A (*1)						
Tightening Torque (Terminal Block's Terminal Screws)	0.5 to 0.8 [N·m] (*1)						
Grounding	-						

Note: Excluding GT115_HS

GT10 Power Supply Specifications

Model Number	GT1055-QSBD	GT1050-QBBD	GT1040-QBBD GT1045-QSBD	GT1030-LBD GT1030-LWD GT1030-LBD2 GT1030-LWD2 GT1030-LBDW GT1030-LWDW GT1030-LBDW2 GT1030-LWDW2	GT1020-LBD GT1020-LWD GT1020-LBD2 GT1020-LWD2 GT1020-LBDW GT1020-LWDW GT1020-LBDW2 GT1020-LWDW2	GT1020-LBL GT1020-LWL GT1020-LBLW GT1020-LWLW
Input Power Supply Voltage	24VDC (+10% -15%)		24VDC (+10% -15%)	24VDC (+10%, -15%), ripple voltage of 200mV or less		5VDC (±5%), supplied from PLC communication cable
Input Frequency	-					
Maximum Input Voltage	-					
Fuse	1.0A			0.5A (built-in, not exchangeable)	0.4A (built-in, not exchangeable)	1.0A (built-in, not exchangeable)
Power Consumption	9.84W or less (410mA/24VDC)	9.36W or less (390mA/24VDC)	3.6W or less (150mA/ 24VDC)	2.2W or less (90mA/24VDC)	1.9W or less (80mA/24VDC)	1.1W or less (220mA/5VDC)
With Backlight Off	4.32W or less (180mA/24VDC)		2.9W or less (120mA/ 24VDC)	1.7W or less (70mA/24VDC)	1.2W or less (50mA/24VDC)	0.6W or less (120mA/5VDC)
Inrush Current	15A or less (26.4VDC) 2ms		15A or less (26.4VDC) 2ms	18A or less (26.4DCV) 1ms	13A or less (26.4DCV) 1ms	-
Permissible Instantaneous Failure Time	Within 5ms					
Noise Resistance	Noise voltage 1000Vp-p, noise width 1μs by noise simulator with noise frequency 30 to 100Hz					
Withstand Voltage	500VAC for 1 minute between power supply terminal and ground for 1 minute					
Insulation Resistance	10MΩ or higher with an insulation resistance tester (500VDC between power supply terminal and ground)					
Applicable Wire Size	0.75 to 2 [mm ²] (*1)		1-wire terminal 0.14 to 1.5mm ² , AWG26 to AWG16 (single wire), 0.14 to 1.0mm ² , AWG26 to AWG16 (stranded wire) 2-wire terminal 0.25 to 0.5mm ² , AWG24 to AWG20 (bar terminal with insulation sleeve) 0.14 to 0.5mm ² , AWG26 to AWG20 (single wire), 0.14 to 0.2mm ² , AWG26 to AWG24 (stranded wire)			
Clamp Terminal	Clamp terminals for M3 screw RAV1.25-3, V2-N3A, FV2-N3A (*1)		AI2.5-6BU, AI0.34-6TQ, AI0.5-6WH (made by Phoenix Contact)			
Tightening Torque (Terminal Block's Terminal Screws)	0.5 to 0.8 [N·m] (*1)		0.22 to 0.25 [N·m]			
Grounding	Class D grounding (100Ω or less) When the unit cannot be grounded, ground it to the panel.					

Note: Excluding GT115_HS

GT12 Performance Specifications

Model Number		GT1275-VNBA	GT1265-VNBA
Display (*1)	Type	TFT color LCD	
	Screen Size	10.4"	8.4"
	Resolution (Dots)	640 x 480	
	Display Size (W x H) mm	211.2 x 158.4	170.9 x 128.2
	Number of Displayed Characters	16-dot standard font: 40 chars. x 30 lines (2-byte) 12-dot standard font: 53 chars. x 40 lines (2-byte)	
	Display Colors	256	
	View Angle (*2)	Right/left: 45°, Up/down: 20°	
	Intensity	200 [cd/m ²]	
	Intensity Adjustment	4-step adjustment	
	Life	Approx. 52,000 hours (Operating ambient temperature: 25°C)	
Backlight	Backlight	Cold-cathode fluorescent tube (replaceable), 1 CCFL light.	
	Life (*3)	50,000 hours or more	40,000 hours or more
		(Time for display intensity reaches 50% at operating ambient temperature of 25°C)	
Touch Panel	Type	Analog resistive type	
	Key Size (Dots)	Min. 2 x 2 (per key)	
	No. of Simultaneous Touch Points	Simultaneous touch prohibited (*4) (1 point touch only)	
	Life	1,000,000 times or more (operating force 0.98N or less)	
Memory (*5)	C Drive	6 MB built-in flash memory (for saving project data and function OS)	
	Life (No. Of Writings)	100,000 times	
	Built-In SRAM	512KB	
Battery	Battery	GT11-50BAT type lithium battery	
	Backed Up Data	Clock data, alarm history, and recipe data	
	Life	Approx. 5 years (operating ambient temperature: 25°C)	
Built-in Interface	RS-232	RS-232, 1 ch, Transmission speed: 115,200/57,600/38,400/19,200/9,600/4,800 bps, Connector shape: D-sub 9-pin (male), Application: communication with PLC and other FA devices, communication with personal computer (*2)	
	RS-422/485	RS-422/485, 1 ch, Transmission speed: 115,200/57,600/38,400/19,200/9,600/4,800 bps, Connector shape: D-sub 9-pin (female), Application: Communication with PLC and other FA devices	
	Ethernet	Data transmission system: 100BASE-TX, 1 ch, Connector shape: RJ-45 (modular connector), Application: communication with connected devices	
	USB	USB (Full Speed 12 Mbps), device 1 ch, Connector shape: Mini-B, Application: connection to personal computer (Project data upload/download, OS installation, FA transparent function)	
	CF Card	Compact flash slot 1ch., Connector shape: Type I, Application: data transfer, data storage	
Buzzer Output	Single tone (tone length adjustable)		
Protective Construction	JEM1030, Front: IP67f (*6)		
External Dimensions (W x H x D) mm	303 x 214 x 53	241 x 190 x 58	
Panel Cut Dimensions (W x H) mm	289 x 200	227 x 176	
Weight (Excluding Mounting Brackets) kg	2.3	1.7	
Applicable Software Packages	GT Designer3 Version 1.01B or later (*7)		

Notes:

- On LCD screens, bright dots (permanently lit) and black dots (not to be lit) generally appear. Because the large number of display elements exist on an LCD screen, it is not possible to reduce appearance of the bright and black dots to zero. Flickering may occur depending on the display colors. Note that the existence of bright and black dots is a standard characteristic of LCD screens, and it does not mean that the products are defective or damaged.
- LC panels have characteristics of tone reversal. Note that even within the indicated view angles, the screen display may not be clear enough depending on the display color.
- Using the GOT screen save/backlight OFF functions prevents screen burn-in and extends the backlight life.
- An analog resistive touch display is used. When 2 points on the screen are touched simultaneously, if a switch is located the middle of the 2 points then the switch will be activated. Therefore, avoid touching 2 points on the screen simultaneously.
- The memory is a ROM that permits overwriting of new data without having to delete the existing data.
- This does not guarantee protection in all users' environments. The unit may not be used in an environment where it is exposed to splashing oil or chemicals for a long time or it is soaked with full of oil mist.
- iQ Works will be supported in the next version (except for GT12).

GT11 Performance Specifications

Model Number		GT1155-QSBD	GT1150-QLBD	GT1155HS-QSBD	GT1150HS-QLBD	GT1155-QTBDQ GT1155-QTBDA	GT1155-QSBDO GT1155-QSBDA	GT1150-QLBDO GT1150-QLBDA	GT1155-QTBD	
Display	Type	STN color LCD	STN monochrome (B&W) LCD	STN color LCD	STN monochrome (B&W) LCD	TFT color LCD	STN color LCD	STN monochrome (B&W) LCD	TFT color LCD	
	Screen Size	5.7"								
	Resolution (Dots)	QVGA: 320 x 240								
	Display Size (W x H) mm	115 x 86 (in horiz. display mode)		115 x 86		115 x 86 (in horiz. display mode)				
	No. of Displayed Characters	16-dot standard font: 20 chars. x 15 lines (2-byte) 12-dot standard font: 26 chars. x 20 lines (2-byte) (in horizontal display mode)								
	Display Colors	256 colors	monochrome (B&W) 16 gray scale	256 colors	monochrome (B&W) 16 gray scale	256 colors		monochrome (B&W) 16 gray scale	256 colors	
	View Angle	Right/left: 50°, Up: 50°, Down: 60° (in horizontal display mode)	Right/left: 45°, Up: 20°, Down: 40° (in horizontal display mode)	Right/left: 50°, Up: 50°, Down: 60°	Right/left: 45°, Up: 20°, Down: 40°	Right/left: 70°, Up: 70°, Down: 50° (in horiz. display mode)	Right/left: 55°, Up: 65°, Down: 70° (in horiz. display mode)	Right/left: 45°, Up: 20°, Down: 40° (in horizontal display mode)	Right/left: 70°, Up: 70°, Down: 50° (in horiz. display mode)	
	Contrast Adjustment	16-step adjustment				-		16-step adjustment		-
	Intensity (cd/m ²)	350	220	350	220	400	380	220	400	
	Intensity Adjustment	8-step adjustment								
Life	Approx. 50,000 hours (operating ambient temperature: 25°C)									
Backlight	Cold-cathode fluorescent tube (not replaceable), with backlight OFF detection function. Backlight off time and screen save time can be set.									
	Life (*1)	Approx. 75,000 hours or more	Approx. 54,000 hours or more	Approx. 75,000 hours or more	Approx. 54,000 hours or more	Approx. 75,000 hours or more		Approx. 54,000 hours or more	Approx. 75,000 hours or more	
(Time for display intensity reaches 50% at operating ambient temperature of 25°C)										
Touch Panel	Type	Matrix resistive type								
	Number of Touch Keys	300 keys/screen (matrix consisting of 15 lines x 20 columns)								
	Key Size (Dots)	Min. 16 x 16 (per key)								
	No. of Simultaneous Touch Points	Max. 2 points								
Life	1,000,000 times or more (operating force 0.98N or less)									
Memory	C Drive (*2)	3MB built-in flash memory (for saving project data, OS)								
	Life (No. of Writings)	100,000 times								
	D Drive	Built-in SRAM, 512 Kbytes (battery backup)								
Battery	Battery	GT11-50BAT type lithium battery								
	Backed Up Data	Clock data, alarm history and recipe data								
	Life	Approx. 5 years (operating ambient temperature: 25°C)								
Built-in Interface	Bus	-				1ch for QCPU (Q mode)/motion controller CPU (Q Series) or 1ch for QnA/ACPU/motion controller CPU (A Series) Application: For bus connection of PLC		-		
	RS-422	RS-422, 1ch, Transmission speed: 115200/57600/38400/19200/9600/4800 bps, Connector shape: D-sub 9-pin (female) Application: Communication with connected devices		-		-		RS-422, 1ch Transmission speed: 115200/57600/38400/19200/9600/4800 bps Connector shape: D-sub 9-pin (female) Application: Communication with connected devices		
	RS-422/232	-		RS-422/232, 1ch, (Select one when using.) Transmission speed: 115200/57600/38400/19200/9600/4800 bps, Connector shape: Round type, 32-pin (male) Application: Communication with connected devices		-		-		
	RS-232	RS-232, 1ch, Transmission speed: 115200/57600/38400/19200/9600/4800 bps, Connector shape: D-sub 9-pin (male) Application: Communication with connected devices, connection to personal computer (project data upload/download, OS installation, FA transparent function)		RS-232, 1ch, Transmission speed: 115200/57600/38400/19200/9600/4800 bps, Connector shape: Mini-DIN 9-pin (female) Application: Connection to personal computer (project data upload/download, OS installation, FA transparent function)		RS-232, 1ch, Transmission speed: 115200/57600/38400/19200/9600/4800 bps, Connector shape: D-sub 9-pin (male) Application: Connection to barcode reader, personal computer (project data upload/download, OS installation, FA transparent function)				
	USB	USB (full speed: 12 Mbps), device 1ch Application: Connection to personal computer (project data upload/download, OS installation, FA transparent function)								
	CF Card	Compact flash slot, 1ch; Connector shape: TYPE I; Application: Data transfer and storage							PCMCIA Compact flash slot, 1ch; Connector shape: TYPE I; Application: Data transfer and storage	
	Optional Function Board	1ch for optional function board installation				(Optional function board in main unit)				1ch for optional function board installation
Buzzer Output	Single tone (tone length adjustable)									
Protective Construction	JEM1030 Front: IP67f (*3) In panel: IP2X		JEM1030 Front: IP65f (*4)		JEM1030 Front: IP67f (*3) In panel: IP2		JEM1030 Front: IP67			
External Dimensions (Without USB Port Cover) (W x H x D) mm	164 x 135 x 56		176 x 220 x 93		167 x 135 x 65		164 x 135 x 56			
Panel Cut Dimensions (W x H) mm	153 x 121		-		153 x 121					
Weight (kg)	0.7 (excl. fittings)		1.0 (main unit only)		0.9 (excl. fittings)		0.7 (excl. fittings)			
Applicable Software Packages	Screen Design Software	GT Designer2 Version 2.58L or later								
	Simulation Software	GT Simulator2 Version 2.58L or later								

Notes:

- Using the GOT screen save/backlight OFF functions prevents screen burn-in and extends the backlight life.
- The built-in memory is a ROM that permits overwriting of new data without having to delete the existing data.
- Conforms to the IP67f (JEM1030) standard when the USB port cover is installed. (The USB interface conforms to IP2X (JEM1030) when a USB cable is connected.) However, this does not guarantee protection in all users' environments.
- This does not guarantee protection in all users' environments. The specification is not applied when the interface protective cover and rear face protective cover are removed.

GT10 Performance Specifications

Model Number	GT1030-LBD	GT1030-LBDW	GT1030-LBD2	GT1030-LBDW2	GT1020-LBD GT1020-LBL	GT1020-LBDW GT1020-LBLW	GT1020-LBD2	GT1020-LBDW2	GT1040-QBBD	GT1045-QSBD	GT1050-QBBD	GT1055-QSBD																
Display	Type								STN monochrome (B&W) LCD	STN monochrome (white/blue) LCD	STN color LCD	STN monochrome (white/blue) LCD	STN color LCD															
	Screen Size				4.5"				3.7"				4.7"		5.7"													
	Resolution (Dots)				288 x 96				160 x 64				320 x 240 (Horizontal format)															
	Display Size (W x H) mm				109.42 x 35.98				86.4 x 34.5				96 x 72		115 x 86													
	Number of Displayed Characters				16-dot standard font: 36 chars. x 6 lines (1-byte) or 18 chars. x 6 lines (2-byte) (in horizontal mode). 12-dot standard font: 48 chars. x 8 lines (1-byte) or 24 chars. x 8 lines (2-byte) (in horizontal mode)				16-dot standard font: 20 chars. x 4 lines (1-byte) or 10 chars. x 4 lines (2-byte) (in horizontal display mode)				16-dot standard font: 40 characters x15 lines, 12-dot standard font: 53 characters x 20 lines (horizontal mode)		16-dot standard font: 20 chars. x15 lines (2-byte), 12-dot standard font: 26 chars. x 20 lines (2-byte) (in horizontal display mode)													
	Display Colors				Monochrome (B&W)				Monochrome (white/blue), 16 scales		256 colors		Monochrome (white/blue), 16 scales		256 colors													
	View Angle				Right/left: 30°, Up: 20°, Down: 30° (in horizontal display mode)				Right/left: 45°, Up: 20°, Down: 40° (in horizontal display mode)		Right/left: 50°, Up: 40°, Down: 70° (in horizontal display mode)		Right/left: 45°, Up: 20°, Down: 40° (in horizontal display mode)		Right/left: 55°, Up: 65°, Down: 70° (in horizontal display mode)													
	Contrast Adjustment				16-step adjustment																							
	Intensity (cd/m ²)		200 (in green)	300 (in white)	200 (in green)	300 (in white)	200 (in green)	300 (in white)	200 (in green)	300 (in white)	300	150	260	380														
	Intensity Adjustment				8-step																							
Life (*1)				Approx. 50,000 hours (Time after which display contrast reaches 20% at operating ambient temperature of 25°C)																								
Backlight	Color								3-color LED (green, orange and red) (replacement not needed)				3-color LED (white, pink and red) (replacement not needed)				3-color LED (green, orange and red) (replacement not needed)				3-color LED (white, pink and red) (replacement not needed)				LED Backlight off/screen saving time can be set			
	Function				Status (on/blinking/off) control is possible. Screen save time can be set.																							
Touch Panel	Type				Matrix resistive type				Analog resistive type																			
	Number of Touch Keys				Max. 50 keys/screen				Max. 50 keys/screen (matrix resistive film touch panel)																			
	Key Size (Dots)				Min. 16 x 16 (per key)				Min. 2 x 2 (per key)				Min. 16 x 16 (per key)															
	No. of Simultaneous Touch Points				Max. 2 points				Simultaneous pressing of more than one key is impossible (If there is a switch near the center of the pressed keys, the switch may function.)				Max. 2 points															
	Life				1,000,000 times or more (operating force 0.98N or less)																							
Memory	User Memory				Built-in flash ROM for saving project data (1.5 Mbytes or less), OS				Built-in flash ROM for saving project data (512 Kbytes or less), OS, alarm history, recipe data				Built-in flash ROM for saving project data (3 MB or less), OS															
	Life (No. of Writings)				100,000 times																							
Battery	Type				GT11-50BAT type lithium battery				-				GT11-50BAT type lithium battery															
	Backed Up Data				Clock data, alarm history and recipe data				-				Clock data, alarm history and recipe data															
	Life				Approx. 5 years (operating ambient temperature: 25°C)				-				Approx. 5 years (operating ambient temperature: 25°C)															
Built-in Interface	For Communication With PLC				RS-422, 1ch. Transmission speed: 115200/57600/38400/19200/9600/4800 bps. Connector shape: Connector terminal block, 9-pin Application: Communication with PLC		RS-232, 1ch. Transmission speed: 115200/57600/38400/19200/9600/4800 bps. Connector shape: Connector terminal block, 9-pin Application: Communication with PLC		RS-422, 1ch. Transmission speed: 115200/57600/38400/19200/9600/4800 bps. Connector shape: Connector terminal block, 9-pin Application: Communication with PLC		RS-232, 1ch. Transmission speed: 115200/57600/38400/19200/9600/4800 bps. Connector shape: Connector terminal block, 9-pin Application: Communication with PLC		RS-422/485, 1ch Transmission speed: 115200/57600/38400/19200/9600/4800 bps. Connector shape: D-sub, 9-pin (Female) Application: Communication with PLC															
	For Communication With Personal Computers				RS-232, 1ch Transmission speed: 115200/57600/38400/19200/9600/4800 bps; Connector shape: Mini DIN 6-pin (female); Application: Communication with personal computer (project data upload/download, OS installation, transparent function)								RS-232, 1ch Transmission speed: 115200/57600/38400/19200/9600/4800 bps.; Connector shape: D-sub 9-pin (Male); Application: Communication with PLC, bar code reader, PC (Project data upload/download, OS installation, transparent function)															
	USB				USB (Full Speed 12Mbps) 1ch Connector shape: Mini-B (Receptacle); Application: PC communication (Project data upload/download, OS installation, transparent function)																							
	GT10-50FMB				-				-				Connection to GT10-50FMB memory board															
Buzzer Output				Single tone (tone length adjustable/none)																								
Protective Construction (*4)				Conforming to IP67f (JEM1030) (front panel)																								
External Dimensions (W x H x D) mm				145 x 76 x 29.5				113 x 74 x 27				139 x 112 x 41		164 x 135 x 56														
Panel Cut Dimensions (W x H) mm				137 x 66				105 x 66				130 x 103		153 x 21														
Weight (kg)				0.3 (excl. fittings)				0.2 (excl. fittings)				0.45 (excl. fittings)		0.7 (excl. fittings)														
Screen Design Software				GT Designer2 Version 2.58L or later				GT Designer2 Version 2.85P or later																				

General Note:

On LCD screens, bright dots (permanently lit) and black dots (not to be lit) generally appear. Because the large number of display elements exist on an LCD screen, it is not possible to reduce appearance of the bright and black dots to zero. Flickering may occur depending on the display colors. Note that the existence of bright and black dots is a standard characteristic of LCD screens, and it does not mean that the products are defective or damaged.

Notes: Refer to notes on previous page.

B Communication Interfaces

Product Name	Model Number	Specifications	Applicable Model						Stk. Item	
			GT16	GT15	GT12	GT11	Handy GOT	GT10		
Bus Connection Unit	GT15-QBUS	Bus connection (1ch) unit standard model for QCPU (Q mode)/motion controller CPU (Q Series)	X	X	-	-	-	-	S	
	GT15-QBUS2	Bus connection (2ch) unit standard model for QCPU (Q mode)/motion controller CPU (Q Series)	X	X	-	-	-	-	S	
	GT15-ABUS	Bus connection (1ch) unit standard model for QnA/ACPU/motion controller CPU (A Series)	X	X	-	-	-	-	S	
	GT15-ABUS2	Bus connection (2ch) unit standard model for QnA/ACPU/motion controller CPU (A Series)	X	X	-	-	-	-	S	
	GT15-75QBUSL	Bus connection (1ch) unit thin model for QCPU (Q mode)/motion controller CPU (Q Series) (*1)	X	X	-	-	-	-	S	
	GT15-75QBUS2L	Bus connection (2ch) unit thin model for QCPU (Q mode)/motion controller CPU (Q Series) (*1)	X	X	-	-	-	-	S	
	GT15-75ABUSL	Bus connection (1ch) unit thin model for QnA/ACPU/motion controller CPU (A Series) (*1)	X	X	-	-	-	-	S	
Serial Communication Unit	GT15-RS2-9P	RS-232 serial communication unit (D-sub 9-pin (male))	X	X	-	-	-	-	S	
	GT15-RS4-9S	RS-422/485 serial communication unit (D-sub 9-pin (female)) (*2, *3)	X	X	-	-	-	-	S	
	GT15-RS4-TE	RS-422/485 serial communication unit (terminal block). Usable only when connecting to temperature controllers/indicating controllers via RS-485 (*2)	X	X	-	-	-	-	S	
RS-422 Conversion Unit	GT15-RS2T4-9P	RS-232 - RS-422 conversion unit	RS-422 connector: 9-pin	X	X (*4)	-	-	-	-	S
	GT15-RS2T4-25P		RS-422 connector: 25-pin	X	X (*4)	-	-	-	-	S
MELSECNET/H Communication Unit	GT15-J71LP23-25	Optical loop unit	X	X	-	-	-	-	-	
	GT15-J71BR13	Coaxial bus unit	X	X	-	-	-	-	S	
CC-Link Communication Unit	GT15-J61BT13	Intelligent device station unit (supporting CC-Link version 2)	X	X	-	-	-	-	S	
Ethernet Communication Unit	GT15-J71E71-100	Ethernet (100Base-TX/10Base-T) unit	X	X	-	-	-	-	S	

Notes:

1. The unit cannot be used stacked on other units. Physically occupies 2 slots.
2. The unit may not be able to be used depending on the connection destination. See List of Connectable Models.
3. The unit cannot be used when connecting to temperature controllers/indicating controllers via RS-485 (2-wire type).
4. The unit cannot be used with the GT155_

C Options and Accessories

Optional Units

Product Name	Model Number	Specifications	Applicable Model						Stock Item
			GT16	GT15	GT12	GT11	Handy GOT	GT10	
Printer Unit	GT15-PRN	USB slave (PictBridge) for printer connection, 1ch. Cable for printer connection (3m) included	X	X	-	-	-	-	S
Video Input Unit	GT16M-V4	For NTSC/PAL input, 4ch	X	-	-	-	-	-	S
	GT15V-75V4	For NTSC/PAL input, 4ch	-	X (*1)	-	-	-	-	S
RGB Input Unit	GT16M-R2	For analog RGB input, 2ch	X	-	-	-	-	-	S
	GT15V-75R1	For analog RGB input, 1ch	-	X (*1)	-	-	-	-	-
Video/RGB Input Unit	GT16M-V4R1	For NTSC/PAL (4ch) and RGB	X	-	-	-	-	-	S
	GT15V-75V4R1	For NTSC/PAL (4ch) and analog RGB (1ch) composite input	-	X (*1)	-	-	-	-	S
RGB Output Unit	GT16M-ROUT	For analog, RGB output	X	-	-	-	-	-	S
	GT15V-75ROUT	For analog, RGB output	-	X (*1)	-	-	-	-	S
Multimedia Unit	GT16M-MMR	For multimedia functions	X	-	-	-	-	-	S
CF Card Unit	GT15-CFCD	For additional CF card port (B drive) on the back of the GOT	X	X	-	-	-	-	S
CF Card Extension Unit	GT15-CFEX-C08SET	For additional CF card port (B drive) at the front of the control panel (*2)	X	X	-	-	-	-	-
Sound Output Unit	GT15-SOUT	For sound output	X	X	-	-	-	-	S
External Input/Output Unit	GT15-DIOR	For external input/output (Negative common input/ source output)	X	X	-	-	-	-	-
	GT15-DIO	For external input/output (Positive common input / source output)	X	X	-	-	-	-	-

Notes:

1. Only GT1585V and GT1575V are applicable.
2. Includes unit to be installed on the control panel, unit to be installed on the GOT, and connection cable (0.8m).

Options and Accessories

Product Name	Model Number	Specifications	Applicable Model						Stock Item	
			GT16	GT15	GT12	GT11	Handy GOT	GT10		
Backlight	GT16-90XLTT	Backlight	For GT1695M-XTB_	X	-	-	-	-	-	S
	GT16-80SLTT		For GT1685M-STB_	X	-	-	-	-	-	S
	GT15-90XLTT		For GT1595-XTB_	-	X	-	-	-	-	S
	GT15-80SLTT		For GT1585V-STB_ /GT1585-STB_	-	X	-	-	-	-	S
	GT15-70SLTT		For GT1575V-STB_	-	X	-	-	-	-	S
	GT15-70VLT		For GT1575V-STB_ /GT1575-VTB_ /GT1575-STB_ (*2)	-	X	-	-	-	-	S
	GT15-70VLTN		For GT1575-VNB_ /GT1572-VNB_	-	X	-	-	-	-	S
	GT15-60VLT		For GT1565-VTB_	-	X	-	-	-	-	S
	GT15-60VLTN		For GT1562-VNB_	-	X	-	-	-	-	S
	GT12-70VLTN		For GT1275-VNBA	-	-	X	-	-	-	S
	GT12-60VLTN		For GT1265-VNBA	-	-	X	-	-	-	S
Optional Function Board	GT15-FNB	Optional function board. The required optional function board varies depending on the GOT main unit and function. For the details, see "Notes for use" in Manual	(No expansion memory)	-	X	-	-	-	-	-
	GT15-QFNB		(No expansion memory)	-	X	-	-	-	-	S
	GT15-QFNB16M		+ 16MB expansion memory	-	X	-	-	-	-	S
	GT15-QFNB32M		+ 32MB expansion memory	-	X	-	-	-	-	S
	GT15-QFNB48M		+ 48MB expansion memory	-	X	-	-	-	-	S
	GT16-MESB		Expansion for MES	X	-	-	-	-	-	S
	GT15-MESB48M		+ 48MB expansion memory	-	X	-	-	-	-	S
GT11-50FNB	Optional function board	-	-	-	X(*3)	X	-	-	-	
Memory Loader	GT10-LDR	GT1020/1030 OS data transfer	-	-	-	-	-	X	S	
Memory Board	GT10-50FMB	GT10 OS and project data transfer	-	-	-	-	-	X	S	
Protective Sheet	GT16-90PSCB	Protective sheet for 15" screen	Clear, 5 sheets	X	-	-	-	-	-	S
	GT16-90PSGB		Antiglare, 5 sheets	X	-	-	-	-	-	S
	GT16-90PSCW		Clear (frame: white), 5 sheets	X	-	-	-	-	-	-
	GT16-90PSGW		Antiglare (frame: white), 5 sheets	X	-	-	-	-	-	-
	GT16-80PSCB	Protective sheet for 12.1" screen	Clear, 5 sheets	X	-	-	-	-	-	S
	GT16-80PSGB		Antiglare, 5 sheets	X	-	-	-	-	-	S
	GT16-80PSCW		Clear (frame: white), 5 sheets	X	-	-	-	-	-	-
	GT16-80PSGW		Antiglare (frame: white), 5 sheets	X	-	-	-	-	-	-
	GT15-90PSCB	Protective sheet for 15" screen	Clear, 5 sheets	-	X	-	-	-	-	S
	GT15-90PSGB		Antiglare, 5 sheets	-	X	-	-	-	-	S
	GT15-90PSCW		Clear (frame: white), 5 sheets	-	X	-	-	-	-	-
	GT15-90PSGW		Antiglare (frame: white), 5 sheets	-	X	-	-	-	-	-
	GT15-80PSCB	Protective sheet for 12.1" screen	Clear, 5 sheets	-	X	-	-	-	-	S
	GT15-80PSGB		Antiglare, 5 sheets	-	X	-	-	-	-	S
	GT15-80PSCW		Clear (frame: white), 5 sheets	-	X	-	-	-	-	-
	GT15-80PSGW		Antiglare (frame: white), 5 sheets	-	X	-	-	-	-	-
	GT15-70PSCB	Protective sheet for 10.4" screen	Clear, 5 sheets	-	X	-	-	-	-	S
	GT15-70PSGB		Antiglare, 5 sheets	-	X	-	-	-	-	S
	GT15-70PSCW		Clear (frame: white), 5 sheets	-	X	-	-	-	-	-
	GT15-70PSGW		Antiglare (frame: white), 5 sheets	-	X	-	-	-	-	-
	GT15-60PSCB	Protective sheet for 8.4" screen	Clear, 5 sheets	-	X	-	-	-	-	S
	GT15-60PSGB		Antiglare, 5 sheets	-	X	-	-	-	-	S
	GT15-60PSCW		Clear (frame: white), 5 sheets	-	X	-	-	-	-	-
	GT15-60PSGW		Antiglare (frame: white), 5 sheets	-	X	-	-	-	-	-
	GT15-50PSCB	Protective sheet for 5.7" screen (for GT15)	Clear, 5 sheets	-	X	-	-	-	-	S
	GT15-50PSGB		Antiglare, 5 sheets	-	X	-	-	-	-	S
	GT15-50PSCW		Clear (frame: white), 5 sheets	-	X	-	-	-	-	-
	GT15-50PSGW		Antiglare (frame: white), 5 sheets	-	X	-	-	-	-	-
	GT11-70PSCB	Protective sheet for 10.4" (GT12)	Clear, 5 sheets	-	-	X	-	-	-	S
	GT11-60PSCB	Protective sheet for 8.4" (GT12)	Clear, 5 sheets	-	-	X	-	-	-	S
	GT11-50PSCB	Protective sheet for 5.7" screen (for GT11)	Clear, 5 sheets	-	-	-	X	-	-	S
	GT11-50PSGB		Antiglare, 5 sheets	-	-	-	X	-	-	S
	GT11-50PSCW		Clear (frame: white), 5 sheets	-	-	-	X	-	-	-
	GT11-50PSGW		Antiglare (frame: white), 5 sheets	-	-	-	X	-	-	-
	GT11H-50PSC	Protective sheet for 5.7" screen (for Handy GOT)	Clear, 5 sheets	-	-	-	-	X	-	S
GT10-50PSCB	Protective sheet for 5.7" screen (for GT1050)	Clear, 5 sheets	-	-	-	-	-	X	S	
GT10-50PSGB		Antiglare, 5 sheets	-	-	-	-	-	X	S	
GT10-50PSCW		Clear (frame: white), 5 sheets	-	-	-	-	-	X	-	
GT10-50PSGW		Antiglare (frame: white), 5 sheets	-	-	-	-	-	X	-	

Notes:

1. Function version B or earlier
2. Function version C or later
3. Excluding GT115_-Q_BDQ and GT115_-Q_BDA

Options and Accessories (continued)

Product Name	Model Number	Specifications		Applicable Model						Stock Item		
				GT16	GT15	GT12	GT11	Handy GOT	GT10			
Protective Sheet	GT10-40PSCB	Protective sheet for 4.7" screen (for GT1040)	Clear, 5 sheets		-	-	-	-	-	X	S	
	GT10-40PSGB		Antiglare, 5 sheets		-	-	-	-	-	X	S	
	GT10-40PSCW		Clear (frame: white), 5 sheets		-	-	-	-	-	X	-	
	GT10-40PSGW		Antiglare (frame: white), 5 sheets		-	-	-	-	-	X	-	
	GT10-30PSCB	Protective sheet for 4.5" screen (for GT1030)	Clear, 5 sheets		-	-	-	-	-	X	S	
	GT10-30PSGB		Antiglare, 5 sheets		-	-	-	-	-	X	S	
	GT10-30PSCW		Clear (frame: white), 5 sheets		-	-	-	-	-	X	-	
	GT10-30PSGW		Antiglare (frame: white), 5 sheets		-	-	-	-	-	X	-	
	GT10-20PSCB	Protective sheet for 3.7" screen (for GT1020)	Clear, 5 sheets		-	-	-	-	-	X	S	
	GT10-20PSGB		Antiglare, 5 sheets		-	-	-	-	-	X	S	
GT10-20PSCW	Clear (frame: white), 5 sheets		-	-	-	-	-	X	-			
GT10-20PSGW	Antiglare (frame: white), 5 sheets		-	-	-	-	-	X	-			
USB Environmentally Protective Cover	GT16-UCOV	Environmentally-protective cover for USB interface on main unit front panel (for replacement)	For 15", 12.1", 10.4" and 8.4"		X	-	-	-	-	-	S	
	GT15-UCOV				-	X	-	-	-	-	-	S
	GT11-50UCOV				-	X	-	X	-	-	-	S
Protective Cover For Oil (*5)	GT05-90PCO	Protective cover for oil for 15" screen		X	X	-	-	-	-	S		
	GT05-80PCO	Protective cover for oil for 12.1" screen		X	X	-	-	-	-	S		
	GT05-70PCO	Protective cover for oil for 10.4" screen		X	X	X	-	-	-	S		
	GT05-60PCO	Protective cover for oil for 8.4" screen		X	X	X	-	-	-	S		
	GT05-50PCO	Protective cover for oil for 5.7" screen		X	X	-	X	-	-	S		
Emergency Stop Switch Guard	GT11H-50ESCOV	For misoperation prevention of emergency stop switch		-	-	-	-	X	-	-		
Stand	GT15-90STAND	Stand for 15" type		X	X	-	-	-	-	-		
	GT15-80STAND	Stand for 12.1" type		X	X	-	-	-	-	-		
	GT15-70STAND	Stand for 8.4"/10.4" type		X	X	X	-	-	-	-		
	GT15-50STAND	Stand for 5.7" type		X	X	-	X	-	-	-		
CF Card (*7)	GT05-MEM-512MC	512MB flash ROM		X	X	X	X	X	-	-		
	GT05-MEM-1GC	1GB flash ROM		X	X	X	X	X	-	-		
	GT05-MEM-2GC	2GB flash ROM		X	X	X	X	X	-	-		
	CF-512MB	512MB Compact Flash Card		X	X	X	X	X	-	-		
	CF-1GB	1GB Compact Flash Card		X	X	X	X	X	-	-		
	CF-4GB	4GB Compact Flash Card		X	X	X	X	X	-	-		
Memory Card Adapter	GT05-MEM-ADPC	CF card - memory card (TYPE II) conversion adapter		X	X	X	X	X	-	-		
	CF-ADAPTER	Compact Flash (CF) Adapter (TYPE II) Sub CF adapter when possible		X	X	X	X	X	-	-		
Attachment	GT15-70ATT-98	Attachment for 10.4" type	A985GOT (*6)		X	X	X	-	-	-		
	GT15-70ATT-87		A870GOT-SWS A870GOT-TWS A8GT-70GOT-TW	A8GT-70GOT-TB A8GT-70GOT-SW A8GT-70GOT-SB	GT157_	X	X	X	-	-	S	
	GT15-60ATT-97	Attachment for 8.4" type	A97_GOT		X	X	X	-	-	-	S	
	GT15-60ATT-96		A960GOT		X	X	X	-	-	-	S	
	GT15-60ATT-87		A870GOT-EWS A8GT-70GOT-EW A8GT-70GOT-EB	A77GOT-EL-S5 A77GOT-EL-S3 A77GOT-EL	GT156_	X	X	X	-	-	S	
	GT15-60ATT-77		A77GOT-CL-S5 A77GOT-CL-S3 A77GOT-CL	A77GOT-L-S5 A77GOT-L-S3 A77GOT-L		X	X	X	-	-	-	
	GT15-50ATT-95W	Attachment for 5.7" type	A956WGOT		X	X	-	X	-	-	S	
	GT15-50ATT-85		A85_GOT		GT155_ GT115_	X	X	-	X	-	S	
Battery	GT15-BAT	Battery for backup of clock data and maintenance time notification data		X	X	X	-	-	-	S		
	GT11-50BAT	Battery for backup of clock data, alarm history and recipe data (for replacement)		-	-	-	X	X	X (*4)	S		
Misc.	D808D197G51	GT15 Series mounting hardware (4 pieces)		X	X	X	-	-	-	S		
	GT11/F900 H/W KIT	GT11/F94 Series mounting hardware (4 pieces)		-	-	-	X	-	-	S		
	GT10 Mounting H/W	GT10 Mounting hardware (10 clips, gasket, terminal block)		-	-	-	-	-	X	S		
	GT115 Option Cover	GT1500 option cover (1 pcs)		X	X	-	-	-	-	S		
	GT15 RS232 Cover	GT1500 RS232 cover (1 pcs)		X	X	-	-	-	-	S		

Notes:

- Function version B or earlier
- Function version C or later
- Excluding GT115_-Q_BDQ and GT115_-Q_BDA
- GT1030 only
- Check if the oil resistant cover can be used in an actual use environment before use. When using the oil resistant cover, the front USB interface and human sensor cannot be used.
- Including the GP250_ and GP260_ manufactured by Pro-face.
- We recommend specifying CF cards with part number CF-__ MB when possible.

D Cables

Product Name		Model Number	Cable Length	Third Party Products (*1)	Application	Applicable Model (*2)						Stock Item									
						GT16	GT15	GT12	GT11	Handy GOT	GT10										
Bus Connection Cable For QCPU (Q Mode)	QCPU Extension Cable GOT-to-GOT Connection Cable	GT15-QC06B	0.6m	X	For connection between QCPU and GOT For connection between GOT and GOT	X	X	-	X	-	-	-									
		GT15-QC12B	1.2m									S									
		GT15-QC30B	3m									S									
		GT15-QC50B	5m									S									
		GT15-QC100B	10m									S									
	Long-Distance Connection Cable for QCPU GOT-to-GOT Long-Distance Connection Cable	GT15-QC150BS	15m	X	For long-distance (13.2m or more) connection between QCPU and GOT (A9GT-QCNC required) For long-distance connection between GOT and GOTP	X	X	-	X	-	-	S									
		GT15-QC200BS	20m									-									
		GT15-QC250BS	25m									-									
		GT15-QC300BS	30m									S									
		GT15-QC350BS	35m									-									
Bus Extension Connector Box		A9GT-QCNC	-	-	Used for QCPU long-distance (13.2m or more) bus connection	X	X	-	X	-	-	S									
Bus Connection Cable For QnA/ACPU/Motion Controller CPU (A Series)	Large CPU Extension Cable	GT15-C12NB	1.2m	X	For connection between QnA/ACPU/motion controller CPU (A Series, extension base) and GOT	X	X	-	X	-	-	-									
		GT15-C30NB	3m									S									
		GT15-C50NB	5m									S									
		Small CPU Extension Cable	GT15-AC06B	0.6m	X	For connection between QnA/ACPU/motion controller CPU (A Series, extension base) and A7GT-CNB	X	X	-	X	-	-	S								
			GT15-AC12B	1.2m									S								
			GT15-AC30B	3m									-								
			GT15-AC50B	5m									-								
			GT15-A370C12B-S1	1.2m									X	For connection between motion controller CPU (A Series, main base) and GOT	X	X	-	X	-	-	-
			GT15-A370C25B-S1	2.5m																	-
			GT15-A370C12B	1.2m									X	For connection between motion controller CPU (A Series, main base) and A7GT-CNB	X	X	-	X	-	-	-
	GT15-A370C25B	2.5m	-																		
	Small CPU Extension Cable	GT15-A1SC07B	0.7m	X	For connection between QnAS/AnSCPU/motion controller CPU (A Series) and GOT	X	X	-	X	-	-	-									
		GT15-A1SC12B	1.2m									-									
		GT15-A1SC30B	3m									S									
		GT15-A1SC50B	5m									X									
	Small CPU Extension Cable	GT15-A1SC05NB	0.45m	X	For connection between QnAS/AnSCPU/motion controller CPU (A Series) and A7GT-CNB	X	X	-	X	-	-	-									
		GT15-A1SC07NB	0.7m									-									
		GT15-A1SC30NB	3m									-									
		GT15-A1SC50NB	5m									X									
	Small CPU Long-Distance Connection Cable	GT15-C100EXSS-1	10.6m	X	For long-distance (13.2m or more) connection between QnAS/AnSCPU/motion controller CPU (A Series) and GOT For long-distance (13.2m or more) connection between A7GT-CNB and GOT *Set of GT15-EXCNC and GT15-C_BS	X	X	-	X	-	-	-									
		GT15-C200EXSS-1	20.6m									-									
		GT15-C300EXSS-1	30.6m									S									
	GOT-to-GOT Connection Cable	GT15-C07BS	0.7m	X	For connection between GOT and GOT	X	X	-	X	-	-	-									
		GT15-C12BS	1.2m									S									
		GT15-C30BS	3m									S									
		GT15-C50BS	5m									S									
	GOT-to-GOT Long-Distance Connection Cable	GT15-C100BS	10m	X	For connection between GOT and GOT	X	X	-	X	-	-	-									
GT15-C200BS		20m	-																		
GT15-C300BS		30m	-																		
AOJ2HCPU Connection Cable		GT15-J2C10B	1m	X	For connection between power supply unit (AOJ2-PW) for AOJ2HCPU and GOT	X	X	-	X	-	-	-									
Bus Connector Conversion Box		A7GT-CNB	-	-	Used for QnA/ACPU long-distance (13.2m or more) bus connection	X	X	-	X	-	-	S									

Notes:

- Items listed above are developed by Mitsubishi Electric System & Service Co., LTD., and sold through your local sales office.
- The applicable connection configuration and cable vary depending on the GOT main unit. For more details, see the GOT1000 Series Handbook and the GOT1000 Series Connection Manual.

Product Name	Model Number	Cable Length	Third Party Products (*1)	Application	Applicable Model (*2)						Stock Item										
					GT16	GT15	GT12	GT11	Handy GOT	GT10											
Buffer Circuit Cable	GT15-EXCNB	0.5m	X	Usable as GT15-C_EXSS-1 in combination with GT15-C_BS	X	X	-	X	-	-	S										
Ferrite Core Set for Q Bus Cable (Two-Pack)	GT15-QFC	-	X	Ferrite cores for replacing existing GOT-A900 bus cable with bus cable for GOT1000	X	X	-	X	-	-	S										
Ferrite Core Set for A Bus Cable (Two-Pack)	GT15-AFC	-	X		S																
RS-422 Conversion Cable	GT16-C02R4-9S	0.2m	X	For connection between RS-422/485 (connector) and RS-422 cable (D-sub 9 pins)	X	-	-	-	-	-	S										
	GT16-C02R4-25S	0.2m	X	For connection between RS-422/485 (connector) and RS-422 cable (D-sub 25 pins)	X	-	-	-	-	-	S										
RS-485 Terminal Block Conversion Unit	FA-LTBGTR4CBL05	0.5m	X	For connection between RS-422/485 (connector) and terminal block conversion cable	X	-	-	-	-	-	-										
	FA-LTBGTR4CBL10	1m									S										
	FA-LTBGTR4CBL20	2m									-										
RS-422 Cable	QnA/FXCPU Direct Connection Cable Computer Link Connection Cable	GT01-C30R4-25P	3m	-	For connection between QnA/ACPU/motion controller CPU (A Series)/FXCPU (D-sub 9-pin connector) and GOT For connection between FA-CNV_CBL and GOT For connection between serial communication unit and GOT For connection between AJ65BT-G4-S3 and GOT	X	X	X	X	(*3)	-	S									
		GT01-C100R4-25P	10m									-									
		GT01-C200R4-25P	20m									-									
		GT01-C300R4-25P	30m									-									
		GT10-C30R4-25P	3m									-	For connection between QnA/FXCPU (D-sub 25-pin connector) and GOT For connection between serial communication unit (AJ71QC24(N)-R4) and GOT	-	-	-	-	-	X	S	
		GT10-C100R4-25P	10m																	-	
		GT10-C200R4-25P	20m																	-	
		GT10-C300R4-25P	30m																	-	
	Computer Link Connection Cable	GT09-C30R4-6C	3m	X	For connection between serial communication unit and GOT For connection between computer link unit and GOT	X	X	X	X	-	-	-	S								
		GT09-C100R4-6C	10m										-								
		GT09-C200R4-6C	20m										-								
		GT09-C300R4-6C	30m										-								
	FXCPU Direct Connection Cable FX Communication Function Extension Board Connection Cable (Model Numbers Ending in C Include a Terminal Block Connector)	GT01-C10R4-8P	1m	-	For connection between FXCPU (MINI-DIN 8-pin connector) and GOT For connection between FXCPU communication function extension board and GOT	X	X	X	X	-	-	-	S								
		GT01-C30R4-8P	3m										S								
		GT01-C100R4-8P	10m										S								
		GT01-C200R4-8P	20m										-								
		GT01-C300R4-8P	30m										-								
		GT10-C10R4-8P	1m										-	For connection between FXCPU (MINI-DIN 8-pin connector) and GOT For connection between FXCPU communication function extension board and GOT	-	-	-	-	-	X	S
		GT10-C10R4-8PC	1m																		S
		GT10-C30R4-8P	3m																		S
		GT10-C30R4-8PC	3m																		S
		GT10-C100R4-8P	10m																		S
		GT10-C100R4-8PC	10m																		S
		GT10-C200R4-8P	20m																		-
		GT10-C200R4-8PC	20m																		S
		GT10-C300R4-8P	30m																		-
	GT10-C300R4-8PC	30m	S																		
	VFD PU Port Direct Connection	GT01-C30R4-VFD	3m		VFD (RJ45-pin) to GOT (D-Sub 9-pin, male)	X	X	X	X	-	-	S									

Notes:

1. Items listed above are developed by Mitsubishi Electric System & Service Co., LTD., and sold through your local sales office.
2. The applicable connection configuration and cable vary depending on the GOT main unit. For more details, see the GOT1000 Series Handbook and the GOT1000 Series Connection Manual.
3. The RS-422 cables less than 10m and the RS-232 cable less than 3m can be used when the connector conversion box for the Handy GOT is used.

Cables (continued)

Product Name		Model Number	Cable Length	Third Party Products (*1)	Application	Applicable Model (*2)						Stk. Item	
						GT16	GT15	GT12	GT11	Handy GOT	GT10		
RS-232 Cable	QCPU Direct Connection Cable Data Transfer Cable	GT01-C30R2-6P	3m	-	For connection between QCPU and GOT/personal computer (GT SoftGOT1000) (D-sub 9-pin)	X	X	X	X	-	-	S	
			GT01-C30R2-6P	3m	-	For connection between personal computer (screen design software) (D-sub 9-pin, female) and GOT (MINI-DIN 6-pin, female)	-	-	-	-	X	X	S
			GT10-C30R2-6P	3m	-	For connection between QCPU and GOT For connection between GOT and GOT	-	-	-	-	-	X	S
			GT11H-C30R2-6P	3m	-	For connector conversion box between QCPU and Handy GOT	-	-	-	-	X	-	-
		FX Communication Function Extension Board Connection Cable, FX Communication Function Adapter Connection Cable, Data Transfer Cable	GT01-C30R2-9S	3m	-	For connection between FXCPU communication function extension board (D-sub 9-pin connector) and GOT/personal computer (GT SoftGOT1000) (D-sub 9-pin). For connection between FXCPU communication function adapter (D-sub 9-pin connector) and GOT. For connection between personal computer (screen design software) (D-sub 9-pin, female) and GOT (D-sub 9-pin, female)	X	X	X	X	-	-	S
			GT01-C30R2-25P	3m	-	For connection between FXCPU communication function adapter (D-sub 25-pin connector) and GOT/personal computer (GT SoftGOT1000) (D-sub 9-pin). For connection between personal computer (screen design software) (D-sub 25-pin, male) and GOT (D-sub 9-pin, female)	X	X	X	X	-	-	-
		Computer Link Connection Cable	GT09-C30R2-9P	3m	X	For connection between serial communication unit and GOT. For connection between computer link unit and GOT	X	X	X	X	-	-	-
			GT09-C30R2-25P	3m			-						
	Connector Conversion Box For Handy GOT		GT11H-CNB-37S	-	-	Converts D-sub 37-pin connector to terminal block and D-sub 9-pin connector	-	-	-	-	X	-	S
	External Connection Cable	FA Device, Power Supply and Operation Switch Connection Cable	GT11H-C30-37P	3m	-	For connection between FA device connection relay cable and GOT	-	-	-	-	X	-	S
GT11H-C60-37P			6m	-			S						
GT11H-C100-37P			10m	-			S						
GT11H-C30			3m	For connection between FA device, power supply and operation switches and GOT		-	-	-	-	X	-	S	
GT11H-C60			6m			-	S						
GT11H-C100			10m			-	S						
FA Device Connection Relay Cable	RS-422, Power Supply and Operation Switch Connection Cable	GT11H-C15R4-8P	1.5m	-	For connection between FXCPU and GOT For connection between power supply and operation switches and GOT	-	-	-	-	X	-	S	
		GT11H-C15R4-25P	1.5m	-	For connection between A/QnACPU and GOT For connection between power supply and operation switches and GOT	-	-	-	-	X	-	S	
		GT11H-C15R2-6P	1.5m	-	For connection between QCPU and GOT For connection between power supply and operation switches and GOT	-	-	-	-	X	-	S	
External I/O Unit Connection Conversion Cable		GT15-C30HTB	0.3m	X	For connection between GOT1000 (external I/O unit) and GOT-A900 external I/O A interface unit connection cable (A8GT-C05TK/A8GT-C30TB/ user-fabricated cable)	X	X	-	-	-	-	-	
		GT15-C03H50TB	0.3m		For connection between GOT1000 (external I/O unit) and other 3rd party products (D-sub 50 pin to open leads)	X	X	-	-	-	-	-	
Analog RGB cable		GT15-C50VG	5m	X	For connection between external monitor, personal computer and vision sensor and GOT	X	X	-	-	-	-	-	
USB Cable	RS-232/USB Conversion Adapter For Data Transfer	GT10-RS2TUSB-5S	-	-	For connection between personal computer (USB) and GOT (RS-232) (Adapter and personal computer are connected with GT09-C30USB-5P)	-	-	-	-	-	X	S	
	Data Transfer Cable	GT09-C30USB-5P	3m	X	For connection between personal computer and GOT For connection between QCPU (USB miniB) and personal computer (GT SoftGOT1000)	X	X	X	X	X	X	S	
					For connection between printer and GOT (printer unit)	X	X	-	-	-	-	S	

Notes:

- Items listed above are developed by Mitsubishi Electric System & Service Co., LTD., and sold through your local sales office.
- The applicable connection configuration and cable vary depending on the GOT main unit. For more details, see the GOT1000 Series Handbook and the GOT1000 Series Connection Manual.

Cables For Other Brand PLCs

Product Name	Model Number	Cable Length	Third Party Products (*1)	GOT Connection Destination	Applicable Model (*2)						Stk. Item			
					GT16	GT15	GT12	GT11	Handy GOT	GT10				
RS-232 Cable	Cable For OMRON PLC	GT09-C30R20101-9P	3m	X	PLC CPU: CQM1/CQM1H/CS1/CJ1/CV500/CV1000/CV2000/CVM1. Serial communication unit: CS1W-SCU21/CJ1W-SCU41. Communication board: C200HW-COM02/COM05/COM06 Serial communication board: CQM1-SCB41/ CS1W-SCB41/CS1W-SCB21							-		
		GT09-C30R20102-25S	3m		Connection cable: CQM1-CIF01								-	
		GT09-C30R20103-25P	3m		Base mount type host link unit: C500H-LK201-V1								-	
	Cable For KEYENCE PLC	GT09-C30R21101-6P	3m		PLC CPU: KV-700/1000									-
		GT09-C30R21102-9S	3m		Multi-communication unit: KV-L20/L20R port 1									-
		GT09-C30R21103-3T	3m		Multi-communication unit: KV-L20/L20R port 2									-
	Cable For SHARP PLC	GT09-C30R20601-15P	3m		PLC CPU: JW-22CU/70CUH/100CUH/100CU									-
		GT09-C30R20602-15P	3m		PLC CPU: JW-32CUH/33CUH									-
	Cable For JTEKT (Former Toyoda Machine Works) PLC	GT09-C30R21201-25P	3m		RS-232/RS-422 converter: TXU-2051									-
	Cable For Shinko Technos Digital Indicating Controller	GT09-C30R21401-4T	3m		Digital indicating controller: FCR-100/FCD-100/ FCR-23A/PC-900/FIR series									-
	Cable For TOSHIBA PLC	GT09-C30R20501-9P	3m		PLC CPU: T2E									-
		GT09-C30R20502-15P	3m		PLC CPU: T2N									-
	Cable For Hitachi Industrial Equipment Systems PLC	GT09-C30R20401-15P	3m		PLC CPU: H-4010/H Series board type/EH-150 Series Intelligent serial port module: COMM-H/COMM-2H									-
		GT09-C30R20402-15P	3m		PLC CPU: H-4010/EH-150 Series									-
	Cable For Hitachi PLC	GT09-C30R21301-9S	3m		Communication module: LQE560/LQE060/LQE160									-
	Cable for Fuji Electric FA Components & Systems PLC	GT09-C30R21003-25P	3m		RS-232C interface card: NV1L-RS2RS-232C/485 Interface capsule: FFK120A-C10 General interface module: NC1L-RS2/FFU120B	X	X	X	X	(*3)	-			-
	Cable For Matsushita Electric Works PLC	GT09-C30R20901-25P	3m		RS-422-232 conversion adapter: AFP8550									-
		GT09-C30R20902-9P	3m		PLC CPU: FP2/FP2SH/FP10(S)/FP10SH/FP-M Computer communication unit: AFP2462/AFP3462/ AFP5462									-
		GT09-C30R20903-9P	3m		PLC CPU: FP1-C24C/C40C									-
		GT09-C30R20904-3C	3m		PLC CPU: FP1-C16CT/C32CT									-
	Cable For Yaskawa Electric PLC	GT09-C30R20201-9P	3m		PLC CPU: PROGIC-8/MP-920/MP-930									-
		GT09-C30R20202-15P	3m		PLC CPU: PROGIC-8									-
		GT09-C30R20203-9P	3m		PLC CPU: CP-9300MS MEMOBUS module: CP-217F (when connected to CN1)									-
		GT09-C30R20204-14P	3m		PLC CPU: MP-940									-
		GT09-C30R20205-25P	3m		MEMOBUS module: CP-217IF (when connected to CN2) Yokogawa Electric personal computer module: LC01-0N/LC02-0N									-
	Cable For Yokogawa Electric PLC	GT09-C30R20301-9P	3m		CPU port/D-sub 9-pin conversion cable: KM10-0C									-
		GT09-C30R20302-9P	3m		Personal computer module: F3LC11-1N/ F3LC11-1F/F3LC12-1F/F3LC11-2N									-
		GT09-C30R20304-9S	3m		Converter: ML2-__									-
	Cable For Allen-Bradley PLC	GT09-C30R20701-9S	3m		PLC CPU: SL500 Series Converter: 1761-NET-AIC									S
	Cable For SIEMENS PLC	GT09-C30R20801-9S	3m		HMI adapter									-

Notes:

- Items listed above are developed by Mitsubishi Electric System & Service Co., LTD., and sold through your local sales office.
- The applicable connection configuration and cable vary depending on the GOT main unit. For more details, see the GOT1000 Series Handbook and the GOT1000 Series Connection Manual.
- The RS-422 cables less than 10m and the RS-232 cable less than 3m can be used when the connector conversion box for the Handy GOT is used.

Product Name	Model Number	Cable Length	Third Party Products (*1)	GOT Connection Destination	Applicable Model (*2)						Stock Item								
					GT16	GT15	GT12	GT11	Handy GOT	GT10									
RS-422 Cable	Cable For OMRON PLC	GT09-C30R40101-9P	3m	X	PLC CPU: CV500/CV1000/CV2000/CVM1 Serial communication unit: CJ1W-SCU41 Serial communication board: CQM1-SCB41/ CS1W-SCB41														
		GT09-C100R40101-9P	10m																
		GT09-C200R40101-9P	20m																
		GT09-C300R40101-9P	30m																
		GT09-C30R40102-9P	3m																
		GT09-C100R40102-9P	10m																
		GT09-C200R40102-9P	20m																
		GT09-C300R40102-9P	30m																
		GT09-C30R40103-5T	3m																
		GT09-C100R40103-5T	10m																
	GT09-C200R40103-5T	20m																	
	GT09-C300R40103-5T	30m																	
	Cable For KEYENCE PLC	GT09-C30R41101-5T	3m		Multi-communication unit: KV-L20/L20R port 2														
		GT09-C100R41101-5T	10m																
		GT09-C200R41101-5T	20m																
		GT09-C300R41101-5T	30m																
		GT09-C30R40601-15P	3m																
	Cable For SHARP PLC	GT09-C100R40601-15P	10m		PLC CPU: JW-22CU/70CUH/100CUH/100CU														
		GT09-C200R40601-15P	20m																
		GT09-C300R40601-15P	30m																
		GT09-C30R40602-15P	3m																
		GT09-C100R40602-15P	10m																
		GT09-C200R40602-15P	20m																
		GT09-C300R40602-15P	30m																
		GT09-C30R40603-6T	3m																
		GT09-C100R40603-6T	10m																
		GT09-C200R40603-6T	20m																
		GT09-C300R40603-6T	30m																
		GT09-C30R41201-6C	3m																
		GT09-C100R41201-6C	10m																
		GT09-C200R41201-6C	20m																
		GT09-C300R41201-6C	30m																
	Cable For JTEKT (Former Toyota Machine Works) PLC	GT09-C30R40501-15P	3m		PLC CPU: JW-32CUH/33CUH														
		GT09-C100R40501-15P	10m																
		GT09-C200R40501-15P	20m																
		GT09-C300R40501-15P	30m																
		GT09-C30R40502-6C	3m																
		GT09-C100R40502-6C	10m																
		GT09-C200R40502-6C	20m																
		GT09-C300R40502-6C	30m																
		GT09-C30R40503-15P	3m																
		GT09-C100R40503-15P	10m																
	GT09-C200R40503-15P	20m																	
	GT09-C300R40503-15P	30m																	
	Cable For TOSHIBA PLC	GT09-C30R40401-7T	3m		PLC CPU: T2/T3/T3H/model3000(S3)														
		GT09-C100R40401-7T	10m																
		GT09-C200R40401-7T	20m																
		GT09-C300R40401-7T	30m																
		GT09-C30R40502-6C	3m																
		GT09-C100R40502-6C	10m																
		GT09-C200R40502-6C	20m																
		GT09-C300R40502-6C	30m																
		GT09-C30R40503-15P	3m																
		GT09-C100R40503-15P	10m																
	GT09-C200R40503-15P	20m																	
	GT09-C300R40503-15P	30m																	
	Cable For Hitachi Industrial Equipment Systems PLC	GT09-C30R40401-7T	3m		PLC CPU: T2E/model2000(S2)														
		GT09-C100R40401-7T	10m																
		GT09-C200R40401-7T	20m																
		GT09-C300R40401-7T	30m																
	Cable For Hitachi PLC	GT09-C30R41301-9S	3m		PLC CPU: T2N														
		GT09-C100R41301-9S	10m																
		GT09-C200R41301-9S	20m																
	GT09-C300R41301-9S	30m																	
	Cable For Fuji Electric FA Components & Systems PLC	GT09-C30R41001-6T	3m		Intelligent serial port module: COMM-H/COMM-2H														
		GT09-C100R41001-6T	10m																
		GT09-C200R41001-6T	20m																
		GT09-C300R41001-6T	30m																
	Cable For Yaskawa Electric PLC	GT09-C30R40201-9P	3m		PLC CPU: LQP510 Communication module: LQE565/LQE165														
		GT09-C100R40201-9P	10m																
		GT09-C200R40201-9P	20m																
		GT09-C300R40201-9P	30m																
		GT09-C30R40202-14P	3m																
		GT09-C100R40202-14P	10m																
		GT09-C200R40202-14P	20m																
		GT09-C300R40202-14P	30m																
	Cable For Yokogawa Electric PLC	GT09-C30R40301-6T	3m		RS-232C/485 interface capsule: FFK120A-C10 General interface module: NC1L-RS4/FFU120B														
		GT09-C100R40301-6T	10m																
		GT09-C200R40301-6T	20m																
		GT09-C300R40301-6T	30m																
		GT09-C30R40302-6T	3m																
		GT09-C100R40302-6T	10m																
		GT09-C200R40302-6T	20m																
		GT09-C300R40302-6T	30m																
	Cable For Yokogawa Electric Temperature Controller	GT09-C30R40303-6T	3m		MEMOBUS module: JAMSC-120NOM27100/ JAMSC-IF612														
		GT09-C100R40303-6T	10m																
		GT09-C200R40303-6T	20m																
		GT09-C300R40303-6T	30m																
		GT09-C30R40304-6T	3m																
		GT09-C100R40304-6T	10m																
		GT09-C200R40304-6T	20m																
		GT09-C300R40304-6T	30m																
	Cable For Yokogawa Electric Temperature Controller	GT09-C30R40303-6T	3m		PLC CPU: MP940														
		GT09-C100R40303-6T	10m																
		GT09-C200R40303-6T	20m																
		GT09-C300R40303-6T	30m																
		GT09-C30R40304-6T	3m																
		GT09-C100R40304-6T	10m																
		GT09-C200R40304-6T	20m																
		GT09-C300R40304-6T	30m																
Cable For Yokogawa Electric Temperature Controller	GT09-C30R40303-6T	3m	Personal computer link module: F3LC11-2N																
	GT09-C100R40303-6T	10m																	
	GT09-C200R40303-6T	20m																	
	GT09-C300R40303-6T	30m																	
	GT09-C30R40304-6T	3m																	
	GT09-C100R40304-6T	10m																	
	GT09-C200R40304-6T	20m																	
	GT09-C300R40304-6T	30m																	
Cable For Yokogawa Electric Temperature Controller	GT09-C30R40303-6T	3m	Personal computer link module: LC02-0N																
	GT09-C100R40303-6T	10m																	
	GT09-C200R40303-6T	20m																	
	GT09-C300R40303-6T	30m																	
	GT09-C30R40304-6T	3m																	
	GT09-C100R40304-6T	10m																	
	GT09-C200R40304-6T	20m																	
	GT09-C300R40304-6T	30m																	
Cable For Yokogawa Electric Temperature Controller	GT09-C30R40303-6T	3m	Temperature controller: GREEN Series																
	GT09-C100R40303-6T	10m																	
	GT09-C200R40303-6T	20m																	
	GT09-C300R40303-6T	30m																	
	GT09-C30R40304-6T	3m																	
	GT09-C100R40304-6T	10m																	
	GT09-C200R40304-6T	20m																	
	GT09-C300R40304-6T	30m																	
Cable For Yokogawa Electric Temperature Controller	GT09-C30R40303-6T	3m	Temperature controller: UT2000 Series																
	GT09-C100R40303-6T	10m																	
	GT09-C200R40303-6T	20m																	
	GT09-C300R40303-6T	30m																	
	GT09-C30R40304-6T	3m																	
	GT09-C100R40304-6T	10m																	
	GT09-C200R40304-6T	20m																	
	GT09-C300R40304-6T	30m																	

Notes:

- Items listed above are developed by Mitsubishi Electric System & Service Co., LTD., and sold through your local sales office.
- The applicable connection configuration and cable vary depending on the GOT main unit. For more details, see the GOT1000 Series Handbook and the GOT1000 Series Connection Manual.
- The RS-422 cables less than 10m and the RS-232 cable less than 3m can be used when the connector conversion box for the Handy GOT is used.

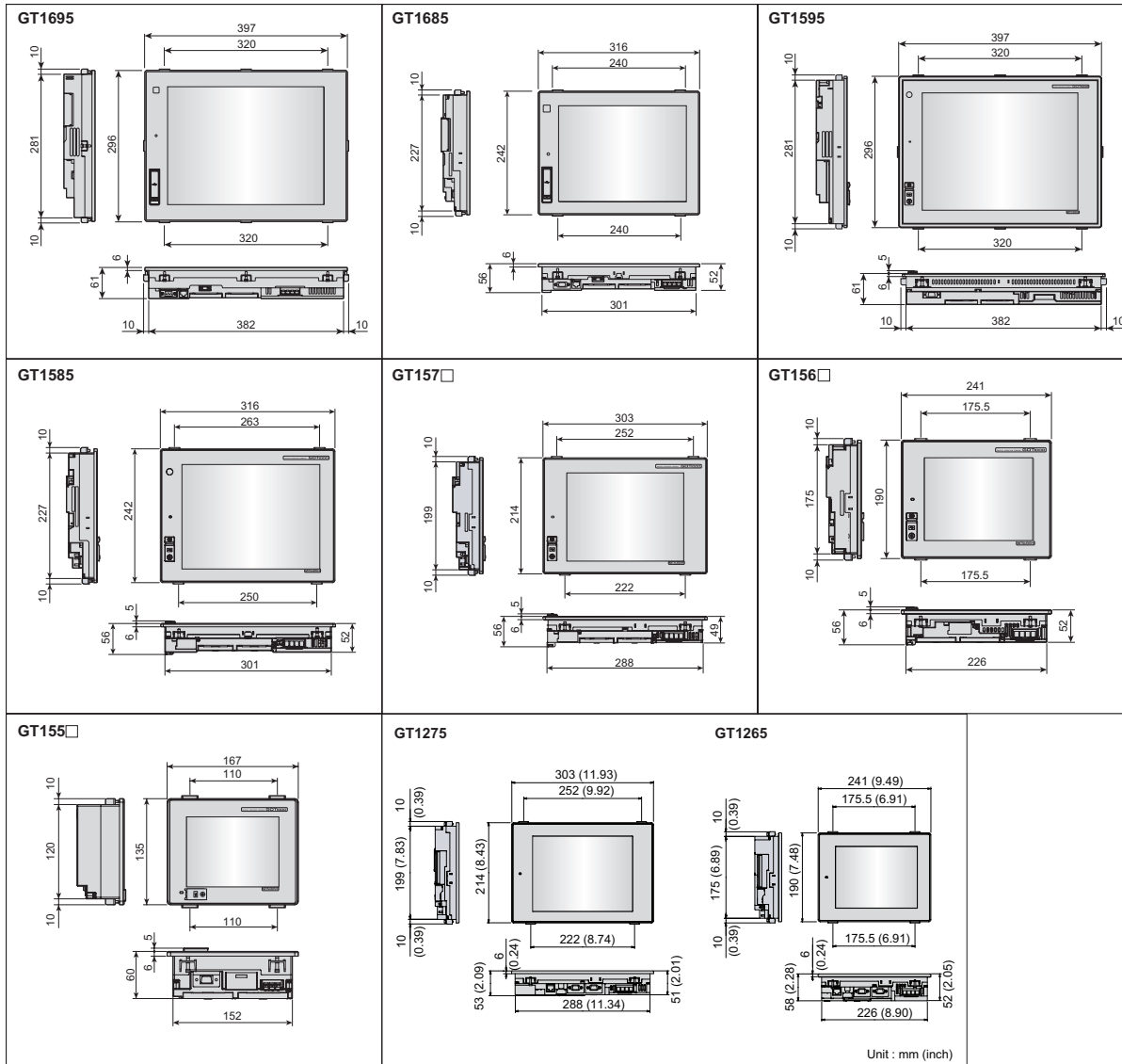
E Screen Configuration Software and Programming Cable

Product Name	Model Number	Included Products				Remarks
		Screen Design Software GT Designer3 Ver. 1.x	Simulation Software GT-Simulator3 Ver. 1.x	Simple Data Conversion Function GT-Converter2 Ver. 2.x	SoftGOT Function (*1) GT SoftGOT	
GT-WORKS3-C1	GT WORKS3 Version 1.x	X	X	X	X	English Version
License Key For GT SoftGOT1000 (*1)	GT15-SGTKEY-U	For USB port				-
	GT15-SGTKEY-P	For parallel port				-
Programming Cable	GT01-C30R2-9S, GT01-C30R2-6P, GT10-RS2USB-5S, and GT09-C30USB-5P See cable table for further selection information					-

Note: To use GT SoftGOT1000, a license key for GT SoftGOT1000 is necessary for each personal computer.

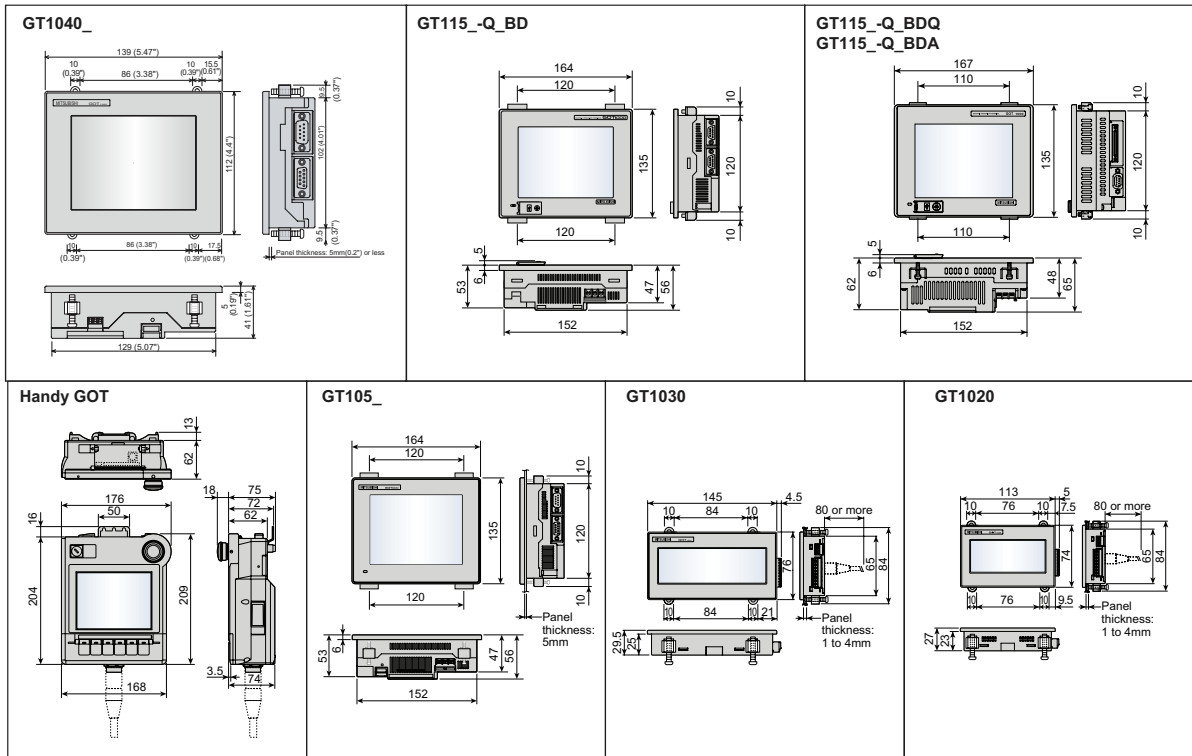
Dimensional Diagrams

GT16 • GT15 • GT12 Base Units



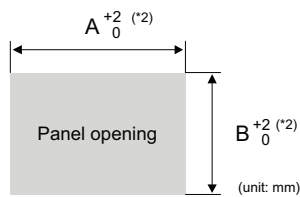
Dimensional Diagrams

GT11 • GT10 Base Units



Panel Cutout

Screen Size	GOT Type	A	B
15"	GT1695 GT1595	383.5	282.5
12.1	GT1685 GT1585 (*1)	302	228
10.4	GT157_ (*2) GT127_	289	200
8.4	GT156_ GT126_	227	176
5.7	GT155_ (*3) GT115_ (*3) GT105_	153	121
4.7	GT1040	130	103
4.5	GT1030	137	66
3.7	GT1020	105	66



Notes:

1. Same dimensions as A985GOT(-V)
2. Same dimensions as A975/970GOT(-B)
3. Same dimensions as F940GOT
4. For GT10, the tolerances are +1/0.

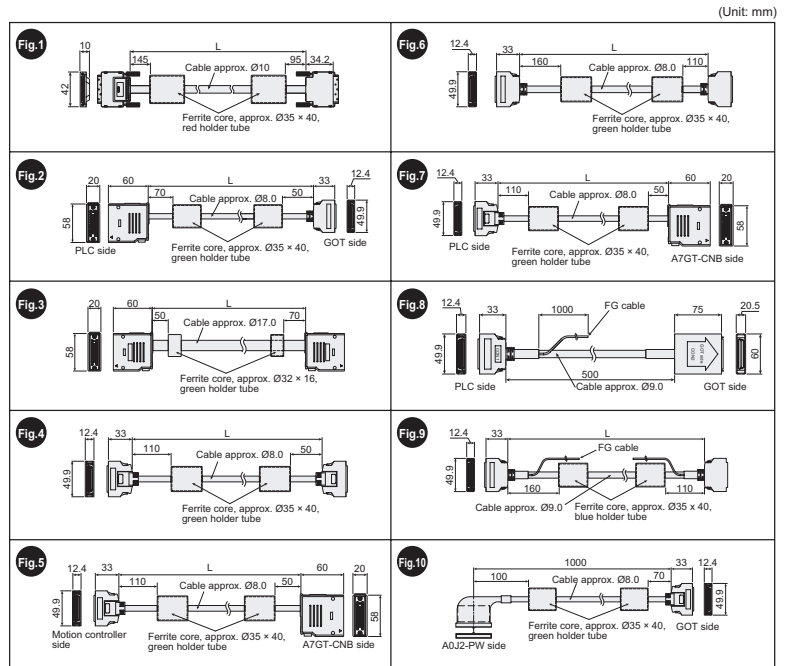
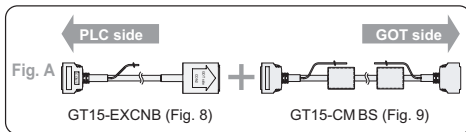
With CF card extension unit

Type	A	B
GT15-CFEX-C08SET	94.0	33.0

Bus Connections Cables

Cable	Cable Length	External Dim.
GT15-QC_B	0.6, 1.2, 3, 5, 10m	Fig. 1
GT15-QC_BS	15, 20, 25, 30, 35m	Fig. 1
GT15-C_NB	1.2, 3, 5m	Fig. 2
GT15-AC_B	0.6, 1.2, 3, 5m	Fig. 3
GT15-A370C_B-S1	1.2, 2.5m	Fig. 4
GT15-A370C_B	1.2, 2.5m	Fig. 5
GT15-A1SC_B	0.7, 1.2, 3, 5m	Fig. 6
GT15-A1SC_NB	0.45, 0.7, 3, 5m	Fig. 7
GT15-C_EXSS-1 (*1)	10.6, 20.6, 30.6m	Fig. 8 & 9
GT15-EXCNB	0.5m	Fig. 8
GT15-C_BS	0.7, 1.2, 3, 5, 10, 20, 30m	Fig. 9
GT15-J2C10B	1m	Fig. 10

Note 1: GT15-CnEXSS-1 is a set consisting of GT15-EXCNB and GT15-CMBS. (See Fig. A.)



RS-422 Cables

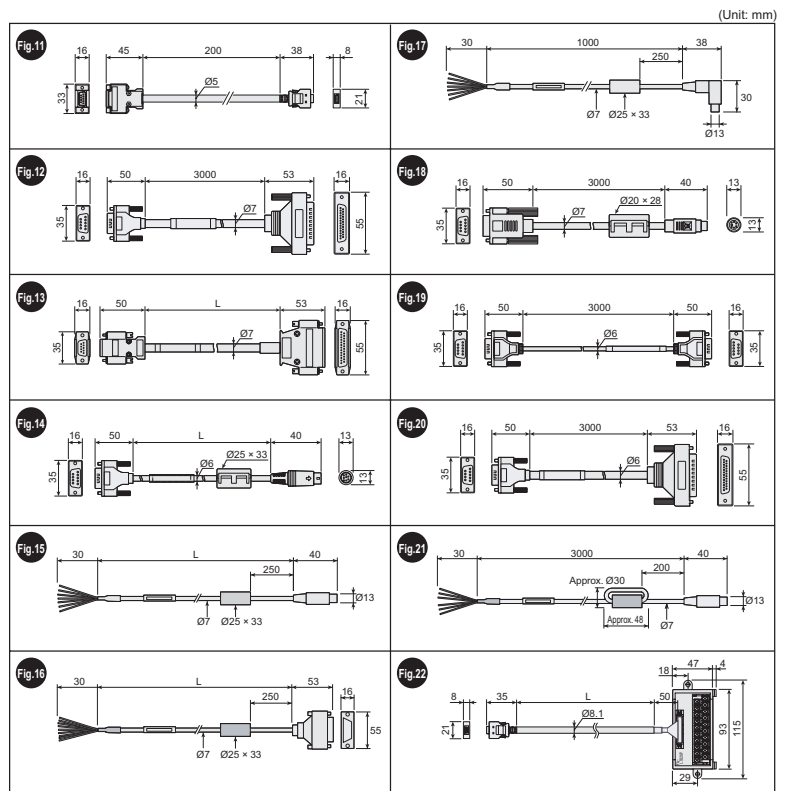
Cable	Cable Length	External Dim.
GT16-C02R4-9S	0.2m	Fig. 11
GT01-C30R4-25P	3m	Fig. 12
GT01-C_R4-25P	10, 20, 30m	Fig. 13
GT01-C_R4-8P	1, 3, 10, 20, 30m	Fig. 14
GT10-C_R4-8P	1, 3, 10, 20, 30m	Fig. 15
GT10-C_R4-25P	3, 10, 20, 30m	Fig. 16
GT10-C10R4-8PL	1m	Fig. 17

RS-232 Cables

Cable	Cable Length	External Dim.
GT01-C30R2-6P	3m	Fig. 18
GT01-C30R2-9S	3m	Fig. 19
GT01-C30R2-25P	3m	Fig. 20
GT10-C30R2-6P	3m	Fig. 21

RS-485 Terminal Block Conversion Unit

Cable	Cable Length	External Dim.
FA-LTBGTR4CBL_	0.5, 1, 2m	Fig. 22



Communication Units

Item	Model Number	External Dim.	
Bus Connection Unit	Standard model of bus connection unit for QCPU (Q mode)/ motion controller CPU (Q Series)	GT15-QBUS (1 ch) Fig. 1 GT15-QBUS2 (2 ch) Fig. 2	
	Standard model of bus connection unit for QnA/ACPU/motion controller CPU (A Series)	GT15-ABUS (1 ch) Fig. 1 GT15-ABUS2 (2 ch) Fig. 2	
	Thin model of bus connection unit for QCPU (Q mode)/motion controller CPU (Q Series)	GT15-75QBUSL (1 ch) Fig. 3 GT15-75QBUS2L (2 ch) Fig. 3	
	Thin model of bus connection unit for QnA/ACPU/motion controller CPU (A Series)	GT15-75ABUSL (1 ch) Fig. 3 GT15-75ABUS2L (2 ch) Fig. 3	
	Serial Comm. Unit	RS-232 Serial Communication Unit (D-sub 9-pin (male))	GT15-RS2-9P Fig. 4
		RS-422/485 Serial Communication Unit (D-sub 9-pin (female))	GT15-RS4-9S Fig. 4
RS-422/485 Serial Communication Unit (Terminal Block)		GT15-RS4-TE Fig. 5	
RS-422 Conversion Unit	RS-232-->RS-422 Conversion Unit (9-pin)	GT15-RS2T4-9P Fig. 6	
	RS-232-->RS-422 Conversion Unit (25-pin)	GT15-RS2T4-25P Fig. 6	
Bus Extension Connector Box	A9GT-QCNB	Fig. 7	
Bus Connector Conversion Box	A7GT-CNB	Fig. 8	
MELSECNET/H Comm. Unit	Optical Loop Unit	GT15-J71LP23-25 Fig. 9	
	Coaxial Bus Unit	GT15-J71BR13 Fig. 10	
CC-Link IE Controller Network Comm. Unit	GT15-J71GP23-SX	Fig. 11	
CC-Link comm. Unit: Intelligent Device Station Unit	GT15-J61BT13	Fig. 12	
Ethernet Communication Unit	GT15-J71E71-100	Fig. 13	

FOR GT16

Units other than CC-Link IE controller network communication unit and multimedia unit

CC-Link IE controller network communication unit and multimedia unit

	1st	2nd	3rd
15"	19.5	41	62.5
12.1"	18	39.5	61.5

	1st	2nd	3rd
15"	33.5	55	76.5
12.1"	32	53	75

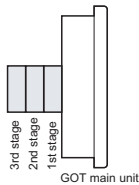
FOR GT15

Units other than CC-Link IE controller network communication unit

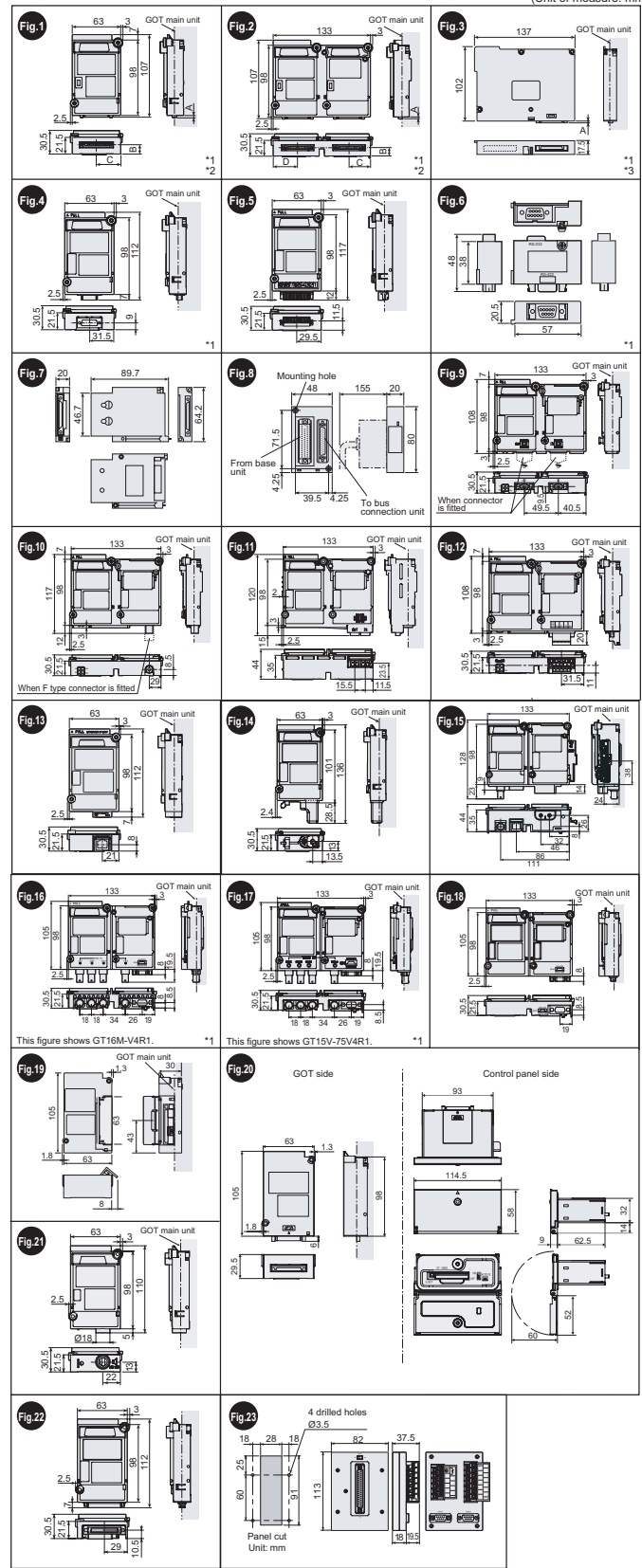
CC-Link IE controller network communication unit

	1st	2nd	3rd
15", 10.4"	21	42.5	64.5
12.1"	18	39.5	61.5
8.4", 5.7"	23	44.5	66.5

	1st	2nd	3rd
15", 10.4"	34.5	56	78
12.1"	31.5	53	75
8.4", 5.7"	36.5	58	80



(Unit of measure: mm)



Optional Units

Item	Model Number	External Dim.
Printer Unit	GT15-PRN	Fig. 14
Multimedia Unit	GT16M-MMR	Fig. 15
Video Input Unit	GT16M-V4	Fig. 16
	GT15V-75V4	Fig. 17
RGB Input Unit	GT16M-R2	Fig. 16
	GT15V-75R1	Fig. 17
Video/RGB Input Unit	GT16M-V4R1	Fig. 16
	GT15V-75V4R1	Fig. 17
RGB Output Unit	GT16M-ROUT	Fig. 18
	GT15V-75ROUT	Fig. 18
CF Card Unit	GT15-CFCD	Fig. 19
CF Card Extension Unit	GT15-CFEX-C08SET	Fig. 20
Audio Output Unit	GT15-SOUT	Fig. 21
External Input/Output Unit	GT15-DIOR	Fig. 22
	GT15-DIO	Fig. 22
Handy GOT Connector Conversion Box	GT11H-CNB-37S	Fig. 23

(*1) The connector shape varies depending on the model.

(*2) Dimensions A-D for each communication unit.

(*3) Dimension A for each communication unit.

Model Number	A	B	C	D
GT15-QBUS	2.5	12	31.5	-
GT15-QBUS2	2.5	11	29	33.5
GT15-ABUS	4.5	15	29.5	-
GT15-ABUS2	4.5	11	31	31

Model Number	A
GT15-75QBUSL	2.5
GT15-75QBUS2L	2.5
GT15-75ABUSL	4
GT15-75ABUS2L	4

E1000 Series Family

E-Series is a family of powerful and flexible panel mount Human Machine Interfaces. This family of displays, offer a comprehensive line of state-of-the-art terminal displays ranging from the basic 4 line backlit LCD keypad to a highly advanced 15 inch TFT Touch screen. Engineered to fit a wide range of applications and budgets, one can easily select from a Text or Graphical model to solve a multitude of different challenges. Models are categorized as E1000 Graphic Keypads, and Graphic Touch screens.



E1000 Hardware Features Include:

- Compact Industrial Construction
- Built-in and Configurable Serial Ports (RS232/RS422/RS485) (*1)
- Available Expansion Option slots (*1)
- Real Time Clock
- Upgradeable Terminal Firmware and Communication Drivers
- Keypad Models feature
 - Numeric Keypad and Navigation Keys
 - Programmable Function Keys
 - Programmable Multicolored LEDs
 - Removable Text Strips (*1)
- Ultra-Thin Display Panel Construction
- High Resolution TFT (Thin Film Transistor) Display Technology
- Industrial Brushed Cast Aluminum Finish
- Built-in 10/100MB Ethernet ports
- Dual Universal Serial Bus (USB) ports (Peripheral and Host Support) (*1)
- Dual Compact Flash Memory Slots (Internal/External) (*1)
- Upgradeable Onboard Compact Flash Memory

E-Series Terminal Features:

- Dual Driver (simultaneous communication with two devices)
- Multiple languages (Unicode Support)
- Alarm and Message Management
- Macro Functions (linked events to a single command)
- Time Channels/Scheduling
- 8 levels of Security protection (Device, Screen, System and Project levels)
- Trending and Data Sampling
- Web connectivity (Web Server, FTP, Email, HTML)
- Advanced Recipe Management
- Report Generation (Printing Functions)
- Advanced Graphics display, Gradient shading and object rendering support
- Full support for Windows® fonts and color pallets (64K available colors)
- High-speed Application transfer via serial, Ethernet or memory card
- Support for both USB Host and Device configuration (allowing easy integration for PC keyboards, mouse/trackballs, printers, etc.)

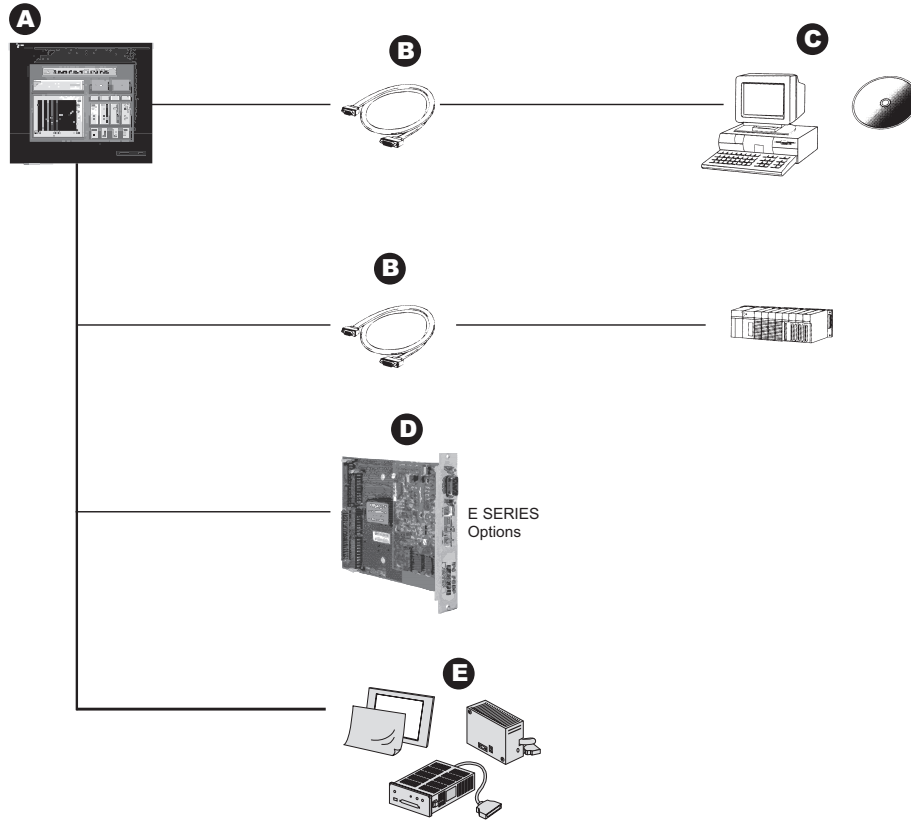
Note 1: Not available for all models.

Manuals

Model Number	Description	Contents	Included With Product	
MA00614	E-Series Installation Manual	Installation Instructions; Technical Specifications	Yes, with s/w title	
MA00776	E1070 Installation Manual	Installation Instructions; Technical Specifications	Yes, with s/w title	
MA00777	E1071 Installation Manual		Yes, with s/w title	
MA00778	E1100 Installation Manual		Yes, with s/w title	
MA00779	E1101 Installation Manual		Yes, with s/w title	
MA00780	E1151 Installation Manual		Yes, with s/w title	
MA00818	E1041 Installation Manual		Installation Instructions; Technical Specifications	Yes, with s/w title
	E1043 Installation Manual			Yes, with s/w title
MA00815	E1061 Installation Manual		Yes, with s/w title	
	E1063 Installation Manual		Yes, with s/w title	
MA00816	E1032 Installation Manual		Yes, with s/w title	
MA00817	E1060 / E1062 Installation Manual		Yes, with s/w title	
MA00853	E1012 Installation Manual		Yes, with s/w title	
MA00854	E1022 Installation Manual		Yes, with s/w title	
MA00759	E-Designer Reference Manual		Software Manual; Programming; Specifications	N/A

Note: Manuals are available electronically on www.meau.com.

E1000 Series System Configuration



A. Terminals204
 B. Programming Cable / Communication Cable206
 C. E-Designer/LT Software and PC (Configuration Software).....207
 D. Options.....207
 E. Accessories.....207

A E-Series Terminals

Product	Model	Compliance	Specifications	Stocked Item
E1000 Platform (Keypad and Touch Screen Models)	E1012	NEMA 4, UL 508, UL 1604	160 x 32 B/W STN, Keypad - 24VDC	S
	E1022	NEMA 4, UL 508, UL 1604	240 x 64 B/W STN, Keypad - 24VDC	S
	E1041	NEMA 4, UL 508, UL 1604	320 x 240, Color TFT, 3.5" Touch - 24VDC	S
	E1043	NEMA 4, UL 508, UL 1604	320 x 240, B/W TFT, 3.5" Touch - 24VDC	S
	E1061	NEMA 4, UL 508, UL 1604	320 x 240, Color TFT, 5.7" Touch - 24VDC	S
	E1062	NEMA 4, UL 508, UL 1604	320 x 240, B/W TFT, Keypad - 24VDC	S
	E1063	NEMA 4, UL 508, UL 1604	320 x 240, B/W TFT, 5.7" Touch - 24VDC	S
	E1032	NEMA 4, UL 508, UL 1604	240 x 64, B/W STN, Keypad - 24VDC	S
	E1060	NEMA 4, UL 508, UL 1604	320 x 240, Color TFT, 5.7" Keypad - 24VDC	S
	E1070	NEMA 4, UL 508, UL 1604	640 x 480, 65K color TFT, 6.5" Keypad internal/external CF slot and USB- 24VDC	S
	E1071	NEMA 4, UL 508, UL 1604	640 x 480, 65K color TFT, 6.5" Touch screen - 24VDC	S
	E1100	NEMA 4, UL 508, UL 1604	800 x 600, 65K color TFT, 10.4" Keypad - 24VDC	S
	E1101	NEMA 4, UL 508, UL 1604	800 x 600, 65K color TFT, 10.4" Touch screen - 24VDC	S
	E1151	NEMA 4, UL 508, UL 1604	1024 x 768, 65K color TFT, 15" Touch screen - 24VDC	S

Note: We recommend using an external 5 VDC power supply with these terminals (CABDC24-5V)

General Specifications

Model Number	E1071	E1070	E1101	E1100	E1151
Display Type	TFT	TFT	TFT	TFT	TFT
Display Size	6.4"	6.4"	10.4"	10.4"	15.0"
Resolution/Pixels	VGA 640 x 480	VGA 640 x 480	SVGA 800 x 600	SVGA 800 x 600	XVGA 1024 x 768
Colors	+65K	+65K	+65K	+65K	+65K
Input Type	Touch	Keyboard	Touch	Keyboard	Touch
LED / Function Keys	N/A	20/22	N/A	20/22	N/A
Alarm Function	7 - 11 groups				
RAM Memory	64 MB SDRAM				
FLASH Memory	12 MB				
Serial Ports	RS232 (9-pin DSUB), combined RS422 / RS485 (25-pin DSUB)				
Ethernet	One 10/100 Mbit TP-port				
USB Host	One port for printer, keyboard, mouse, scanner				
USB Device	One port for PC transfer				
Memory Cards	One external compact flash slot for file transfer, one internal compact flash slot for memory expansion 64 - 1024 MB				
Real-Time Clock	Battery backed				
Housing / Front Material	Cast aluminum				
Power Supply	±24 VDC (20 - 30 VDC)				
Weight (kg/lbs)	1.1 / 2.4	1.3 / 2.9	2.0 / 4.4	2.3 / 5.0	3.7 / 8.2
Dimensions mm	219 x 154 x 6	285 x 177 x 6	302 x 228 x 6	382 x 252 x 6	389 x 304 x 6
Max. Current Draw Min. (Max.)	400 mA (900 mA)	400 mA (900 mA)	500 mA (1.0 A)	500 mA (1.0 A)	1.2A (1.7 A)
Ambient Temp V (H)	0 - 50°C (0 - 40°C)				

Model Number	E1012	E1022	E1041	E1043	E1061	E1062	E1063	E1032	E1060
Display Type	STN	STN	TFT	TFT	TFT	TFT	TFT	STN	TFT
Display Size	160 x 32	240 x 64	3.5"	3.5"	5.7"	5.7"	5.7"	240 x 64	5.7"
Resolution/Pixels	160 x 32	240 x 64	QVGA 320 x 240	QVGA 320 x 240	QVGA 320 x 240	QVGA 320 x 240	QVGA 320 x 240	240 x 64	QVGA 320 x 240
Colors	Monochrome (16 shades)	Monochrome (16 shades)	65K	Monochrome (16 shades)	65K	Monochrome (16 shades)	Monochrome (16 shades)	Monochrome (16 shades)	65K
Input Type	Keyboard	Keyboard	Touch	Touch	Touch	Keypad	Touch	Keyboard	Keyboard
LED / Function Keys	6/6	6/6	N/A	N/A	N/A	16/16	N/A	16/8	16/16
Alarm Function	7 - 11 groups								
RAM Memory	64 MB SDRAM								
FLASH Memory	512 kB			12 MB					
Serial Ports	RS232 (9-pin DSUB), combined RS422 / RS485 (25-pin DSUB)								
Ethernet	N/A	N/A	One 10/100 Mbit TP-port						
USB Host	N/A	N/A	One port for printer, keyboard, mouse, scanner						
USB Device	No USB Device Port								
Memory Cards	No Compact Flash (CF) Card Slot								
Real-Time Clock	Battery backed								
Housing / Front Material	Cast aluminum								
Power Supply	±24 VDC (20 - 30 VDC)								
Weight (kg/lbs)	0.4 / 0.88	0.5 / 1.1	0.6 / 1.3	0.9 / 1.9	1.2 / 2.6	0.9 / 1.9	0.95 / 2.1	1.21 / 2.6	
Dimensions mm	155 x 114 x 6	155 x 155 x 6	155.8 x 119 x 6	201 x 152 x 6	275 x 168 x 6	201 x 152 x 6	202 x 187 x 6	275 x 168 x 6	
Max. Current Draw Min. (Max.)	100 mA (300 mA)		150 mA (350 mA)	250 mA (450 mA)	200 mA (400 mA)	250 mA (450 mA)	150 mA (350 mA)	200 mA (400 mA)	
Ambient Temp V (H)	0 - 50°C (0 - 40°C)								

B Communication Cables

Cable Model No.	Manufacturer	Device	Device Side Interface	Device Side Connection	Terminal Side Interface	Terminal Side Connection	Notes	Lengths (m)	Standard E-Series	E1000	Stock Item
CAB1	Siemens	S5 Programming Port	RS-232	25 pin D-SUB - male	RS-232	9 pin D-SUB - female	Also required Siemens Converter (6ES5 734-1BD20)	0.5	X	-	-
CAB2	Allen Bradley	MicroLogix	RS-232	8 pin mini - male	RS-232	9 pin D-SUB - female	-	3	X	-	S
CAB3	Omron	C/CS1 Series	RS-232	9 pin D-SUB - male	RS-232	9 pin D-SUB - female	-	3	X	-	-
CAB4	GE Fanuc	Series 90	RS-422	15 pin D-SUB - male	RS-422	25 pin D-SUB - male	-	3	X	X	S
CAB5	Various	Connection to: Mitsubishi FX1N/2N-232BD, Siemens S7-300/400, AB SLC500/01/02/03, B&R 2000 Series, Steeplechase VLC	RS-232	9 pin D-SUB - female	RS-232	9 pin D-SUB - female	E-Terminal programming Cable, Connects to S7-300/400 via MPI port, Simatic 300/400 must use CP341 comms card, Simatic S5 must use CP525 comms card, SLC 500, SLC 5/01/02 need cable 1747-C13 and 1747-KE, SLC 5/03/04/05 cable 1747-KE is recommended	3	X	-	S
CAB6	Various	Connection to: AB ContolLogix, Simatic S7-300/400, B&R 2000 Series, Steeplechase VLC	RS-232	9 pin D-SUB - female	RS-422	25 pin D-SUB - male	RS-232 to RS-422 converter	3	X	X	S
CAB7	Siemens	Simatic S5	RS-422	15 pin D-SUB - male	RS-422	25 pin D-SUB - male	-	3	X	X	-
CAB8	Various	Various	RS-485	8 pin screw terminal	RS-422	25 pin D-SUB - male	RS-422 to RS-485 Converter	-	X	X	S
CAB9	Mitsubishi	FR-E/A & FR-S500 VFDs	RS-422	RJ45 connector	RS-422	25 pin D-SUB - male	-	3	X	X	S
CAB10	Allen Bradley	DH485	RS-485	RJ485	RS-422	25 pin D-SUB - male	RS-422 to RS-485 converter via RJ45 connector	3	X	X	S
CAB11	Siemens	S7 MPI	RS-232	9 pin D-SUB - male	RS-232 or RS-422	9 pin D-SUB - male	Network Adapter Simatic S7-300/400 via MPI port	1.2	X	X	S
CAB12	Various	Various	RS-232	9 pin D-SUB - female	RS-232	9 pin D-SUB - male	RS-232 Tx to Rx crossover	-	X	X	S
CAB13	Mitsubishi	MR-J2	RS-422/485	20 pin 3M connector	RS-422	25 pin D-SUB - male	-	3, 5	X	X	S
CAB14	Aromat	FPO/M/2/2SH	RS-232	5 pin mini - male	RS-232	9 pin D-SUB - female	-	3	X	-	-
CAB15	Various	CANOpen Adapter	RS-422/485	5 pin screw terminal	RS-422	25 pin D-SUB - male	-	-	X	X	-
CAB15 KIT							Mounting H/W Kit	-	X	X	-
CAB16	Mitsubishi	Q Series	RS-232	6 pin mini	RS-232	9 pin D-SUB - female	-	1, 3, 5, 7, 10, 15	X	-	3m
CAB17	Mitsubishi	Q Series	RS-232	6 pin mini	RS-422	25 pin D-SUB - male	-	3	X	X	S
CAB18	Mitsubishi	QnA/A/FX	RS-422	25 pin D-SUB - male	RS-422	25 pin D-SUB - male	-	1, 3, 5, 7, 10, 15	X	X	3, 5, 10m
CAB19	Mitsubishi	FX1S / 1N / 2N / 2NC / 3U / 3UC	RS-422	8 pin mini - male	RS-422	25 pin D-SUB - male	-	1, 3, 5, 7, 10, 15	X	X	S
CAB20	Siemens	S7-200	RS-232	9 pin D-SUB - male	RS-422	25 pin D-SUB - male	-	3	X	X	S
CAB21	E-Series	E-Keys	RS-232	9 pin D-SUB - male	RS-232	9 pin D-SUB - female	-	3	X	-	-
CAB23	E-Series	CANOpen Adapter Cable	RS-422	25 pin D-SUB - female	RS-422	25 pin D-SUB - male	-	1.5	X	X	-
CAB30	E-Series	Programming	RS-232	9 pin D-SUB - female	RS-232	9 pin D-SUB - female	-	-	-	X	S
CAB31	Allen Bradley	Micrologix	RS-232	8 pin mini - male	RS-232	9 pin D-SUB - female	-	-	-	X	S
CAB32	Omron	Host Link	RS-232	9 pin D-SUB - female	RS-232	9 pin D-SUB - female	-	-	-	X	S
CAB33	Aromat	FPO/M/2/2SH	RS-232	5 pin mini - male	RS-232	9 pin D-SUB - female	-	-	-	X	S
CAB34	Mitsubishi	Q-Series	RS-232	6 pin mini	RS-232	9 pin D-SUB - female	-	3, 10	-	X	S
CAB35	Various	Computer	USB	Standard/ "Type A" USB connector	-	RJ45 Ethernet Connector	USB to Ethernet Connector	1	X	X	S
CAB36	Siemens	MPI	RS-485	9 pin D-SUB - male	RS-422	25 pin D-SUB male	-	3	X	X	-

C Screen Configuration Software and Programming Cable

Model Number	Programming Cable Model Number	Description	Stock Item
E-DES-C1	CAB30 (232): E1000 Models or CAB6 (422)	E-Designer programming software	S

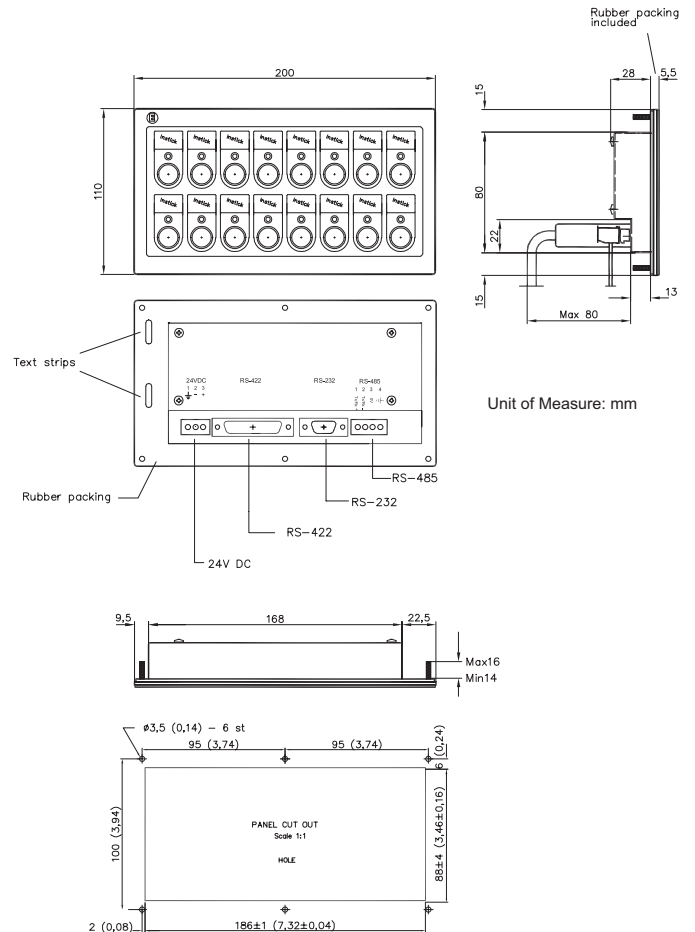
D Options

Model Number	Description	Stock Item
CABDC24-5V	24VDC to 5VDC converter	S
CAB15	CANOpen adapter	-
CAB15 KIT	CANOpen adapter mounting kit	-
EM-PROFIBUS DP	Connects E1000 to Profibus DP networks	S
EM-ETHERNET	Connects E1012/E1022 only to Ethernet networks	S
E-KEYS2	16 additional function keys and LEDs	-

E Accessories

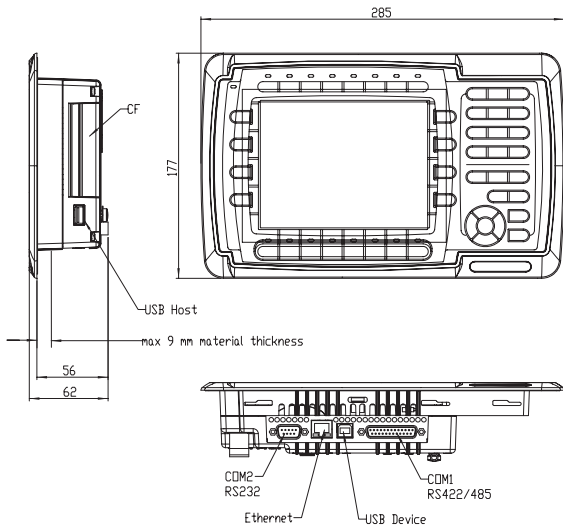
Model Number	Description	Stock Item
KEYBOARD PROTECTION SHEETS		
E1KTSP1	E1070 touch protection sheet (single sheet)	-
E1KTSP3	E1100 touch protection sheet (single sheet)	-
TOUCH SCREEN PROTECTION SHEETS (SINGLE PACKS)		
E1KTSP2	E1071 touch protection sheet (single sheet)	-
E1KTSP4	E1101 touch protection sheet (single sheet)	-
E1KTSP5	E1151 touch protection sheet (single sheet)	-
E1KTSP6	E1032 touch protection sheet (single sheet)	-
E1KTSP7	E1041/1043 touch protection sheet (single sheet)	-
E1KTSP8	E1060 touch protection sheet (single sheet)	-
E1KTSP9	E1060/1063 touch protection sheet (single sheet)	-
E1KTSP10	E1012 touch protection sheet (single sheet)	-
E1KTSP11	E1022 touch protection sheet (single sheet)	-
BACKLIGHTS		
E1100/01 BACKLIGHT	Replacement E1100/01	-
E1151 BACKLIGHT	Replacement E1151 (2 pieces)	-
ADAPTER BEZELS		
E1022-ADP-BEZ	Adapter Bezel, E200 to E1022	-
E1032-ADP-BEZ	Adapter Bezel, E300 to E1032	S
E1060-ADP-BEZ	Adapter Bezel, E700 to E1060	S
E1061/63-ADP-BEZ	Adapter Bezel, E610/E615 to E1061/E1063	S
E1070-ADP-BEZ	Adapter Bezel, E700 to E1060	S
E1071-ADP-BEZ	Adapter Bezel, E710 to E1071	S
E1100-ADP-BEZ	Adapter Bezel, E900 to E1100	S
E1101-ADP-BEZ	Adapter Bezel, E910 to E1101	S
MISCELLANEOUS HARDWARE		
E1000 MOUNTING H/W	E1000 Mounting hardware kit (6 pieces)	S
E1000 BATTERY	E1000 Lithium battery	-
60.100.9123	E1000 battery cover	-
60.100.9003	E1000 CF cover	-
32.109.9040	MTA/E 24V power connector	-
32.109.7655	E Series RS-485 connector	-

E-Keys2 Dimensions

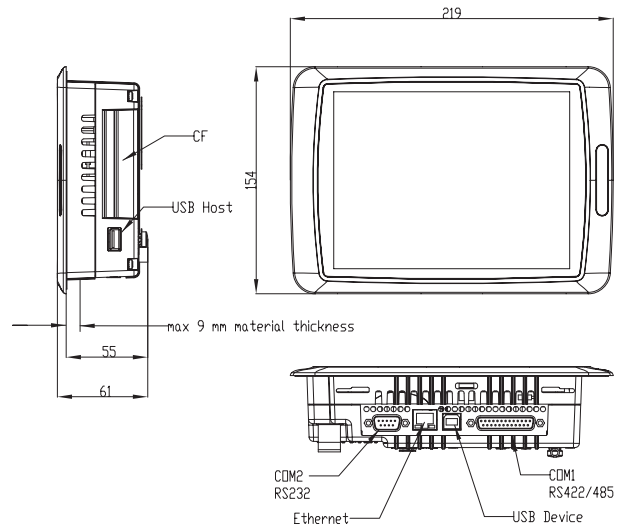


Dimensional Diagrams

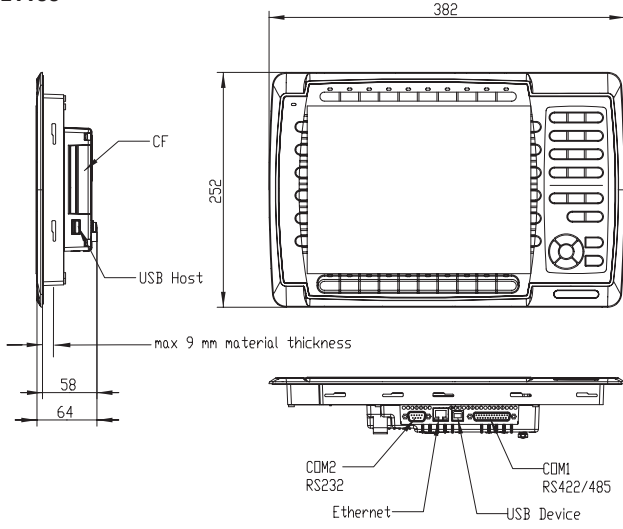
E1070



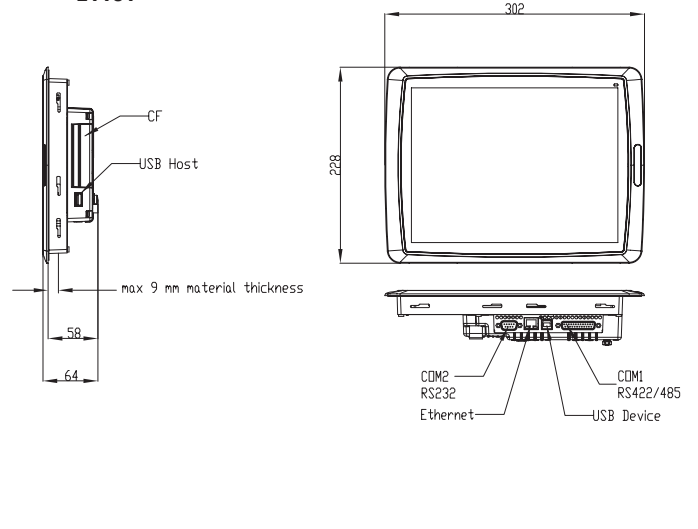
E1071



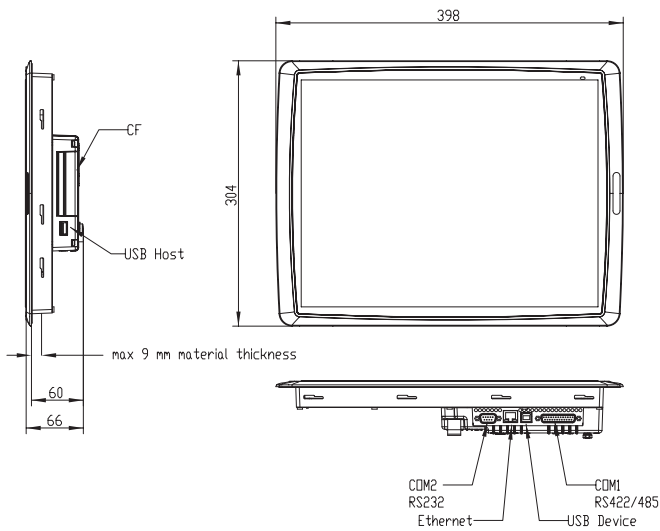
E1100



E1101



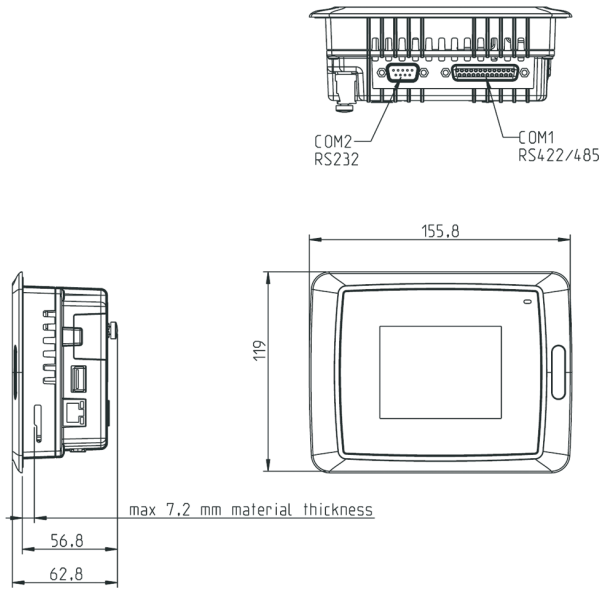
E1151



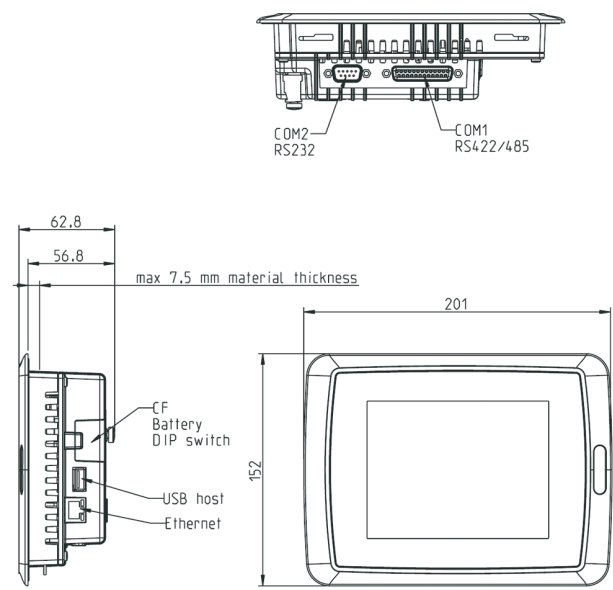
Unit of Measure: mm

External Dimensions

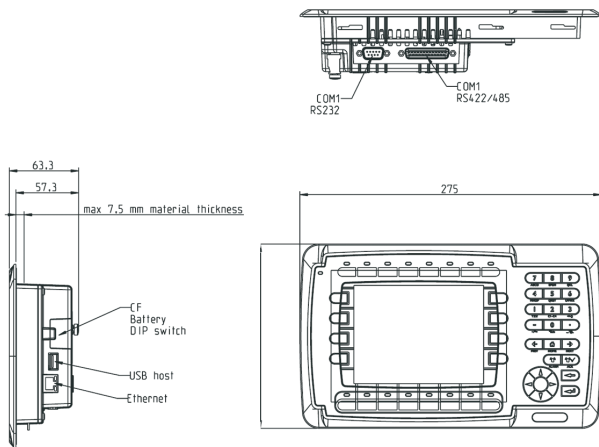
E1041/43



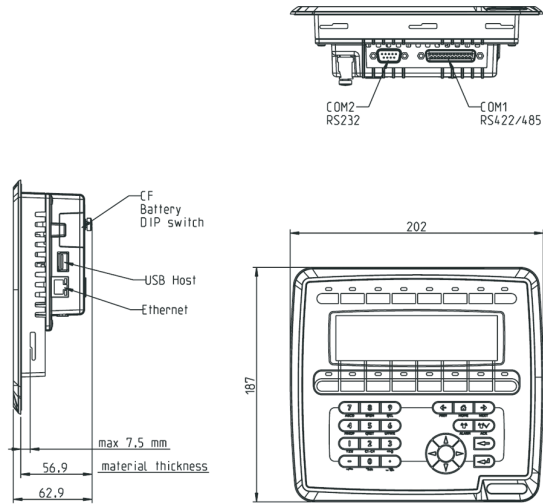
E1061/1063



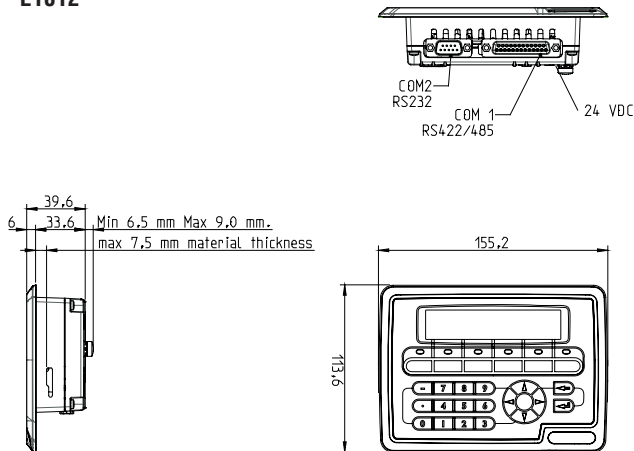
E1060/ E1062



E1032



E1012



E1022

